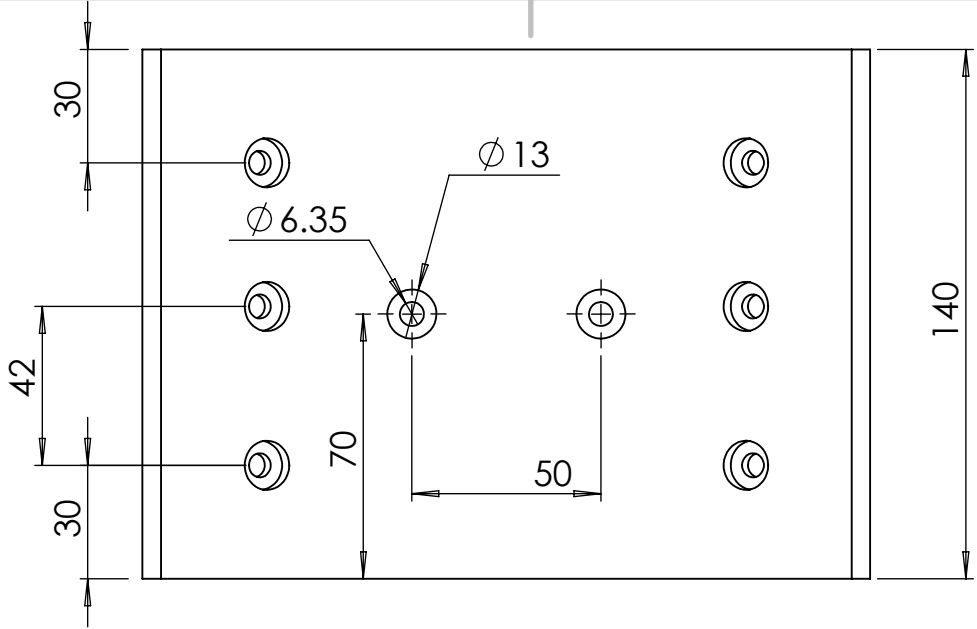


4 3 2 1

F

F

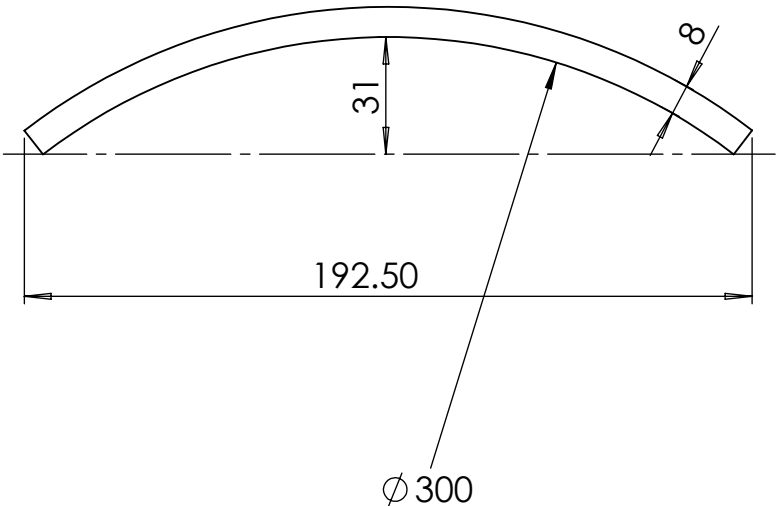


E

E

D

D

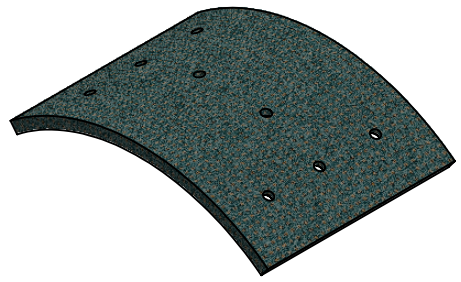


C

C

B

B



UNLESS OTHERWISE SPECIFIED:
DIMENSIONS ARE IN MILLIMETERS
SURFACE FINISH:
TOLERANCES:
LINEAR:
ANGULAR:

FINISH:

DEBURR AND
BREAK SHARP
EDGES

DO NOT SCALE DRAWING

REVISION

	NAME	SIGNATURE	DATE
DRAWN			
CHK'D			
APPV'D			
MFG			
Q.A			

TITLE:		BRAKE LINER 300-18 2D	
MATERIAL:			
ASBESTOS		DWG NO.	A4
WEIGHT:		SCALE: 1:5	SHEET 1 OF 1

A

A

4 3 2 1