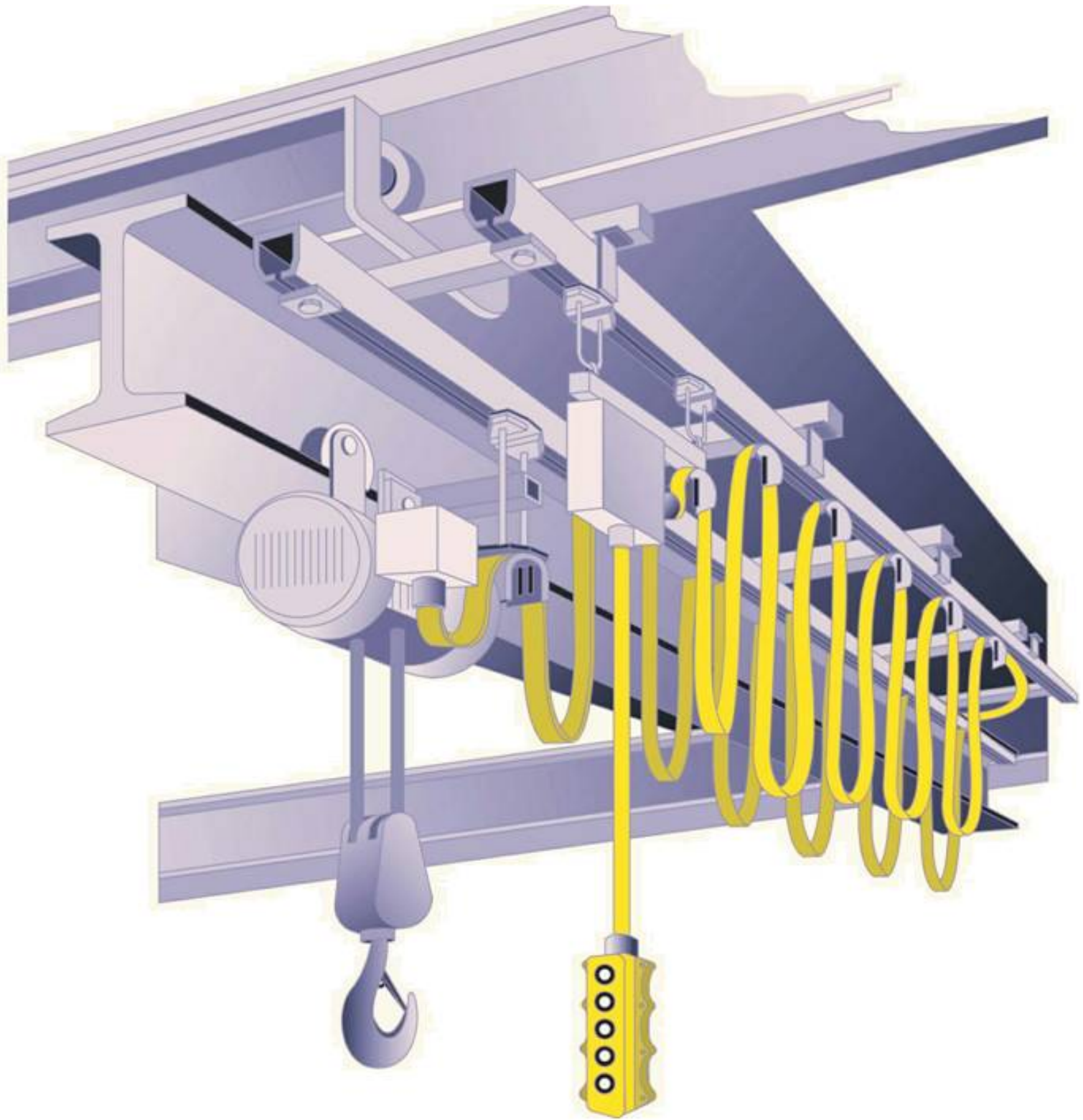


Anand Systems Engineering Pvt. Ltd.



SAFELINK **F**ESTOONING **S**YSTEMS

**Changing The Way You Think About Mobile
Electrification**

TYPE - KR D 40 SERIES

➤ Introduction

The festoon system is the traditional system for the energy transmission for various type of handling equipment. They are used to manage cables and hoses which provide power or necessary gaseous/liquid media to moveable machinery.

Line 40 is made of a "C" rail bar fixed along the crane movement line. The single cable is supported by trolley that slides inside the "C" rail bar.

Is offer a complete selection of items and accessories to customize them according to the customer needs.

Line 40 Characteristics are :

Bar Height : 40mm

Load Capacity : 150kg/m

➤ Application

Cranes & Hoist

Monorails

Automated Storage System

Transfer Car

Quenching / Pusher Car For Coke Oven

➤ How you can use our festooning systems

Slaughter house

Sawmill

Mines

Industries

Washing facilities

Green House

Harbours

Theater, Photostudios

Water Treatment Facility

Auto Workshop

Fire Station

(40 Series) C- Rail Festooning Systems KRD Type



Part No.	Description	Products	Dimensions
KRD - 401	<p># C - Rail Bar</p> <hr/> <p># Material - Galvanized Steel</p> <hr/> <p># Length - 4Mtr.</p> <hr/> <p># Weight - 8Kg.</p>		
KRD - 402	<p># Joint</p> <hr/> <p># Material - Galvanized Steel</p> <hr/> <p># Length - 120Mm.</p>		
KRD- 403	<p># Hanger Clamp</p> <hr/> <p># Material - Galvanized Steel</p> <hr/> <p># Max Support Spacing - 1.5Mtr.</p>		
KRD - 404	<p># End Stop</p> <hr/> <p># Material - PA6</p>		

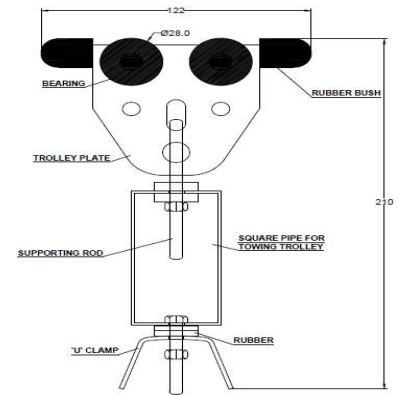
KRD – 406

Towing Trolley

Material - Galvanized Steel

Type of Roller - Steel Roller With Ball Bearing Wheel

68MM Steel Saddle



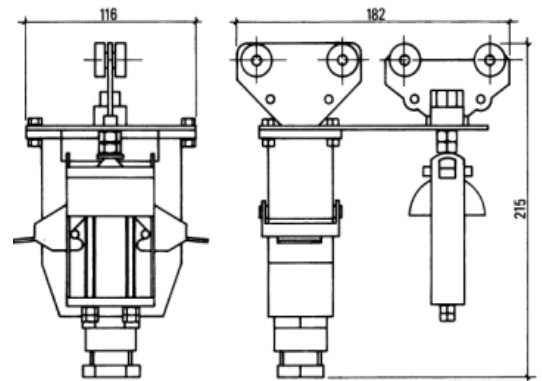
KRD – 407

Trolley with Safety plug and socket connection

To connect the festooning systems with pendent station

Material - Galvanized Steel

68MM Steel Saddle



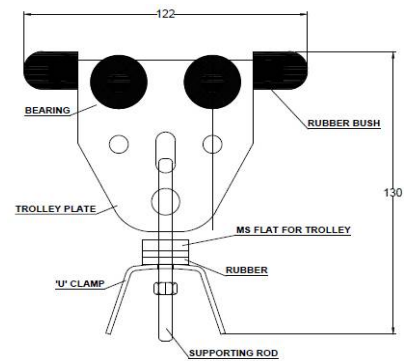
KRD– 408

Moving Trolley

Material - Galvanized Steel

Type of Roller - Steel Roller With Ball Bearing Wheel

68MM Steel Saddle

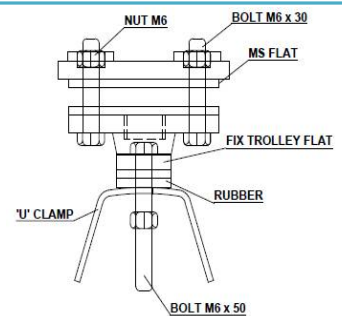


KRD- 409

Fixed Trolley

Material - Galvanized Steel

68MM Steel Saddle



Company Details : -

Anand Systems Engineering Pvt. Ltd.

116 Acharya Industrial Estate | Tejpal Compound
Andheri Kurla Road | Sakinaka Mumbai – 400072.

Tel. 022- 28516819

Email. info@anandcontrol.in , anand@anandcontrol.in

Web. www.anandcontrol.in

