

4

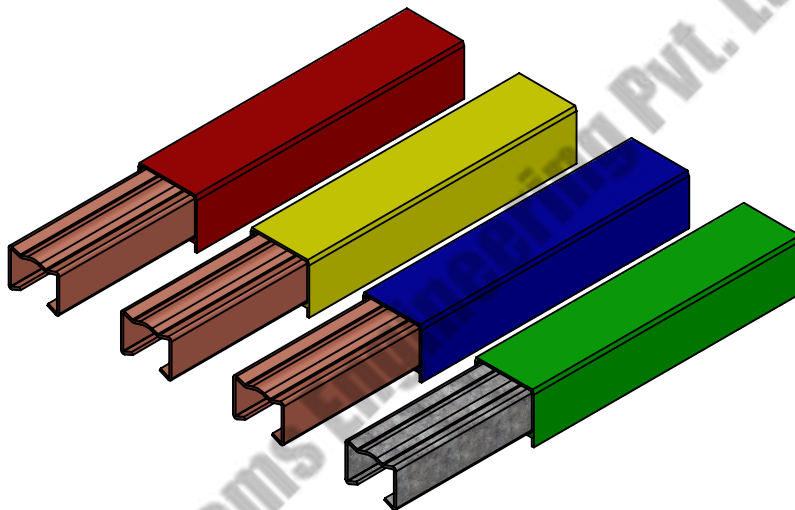
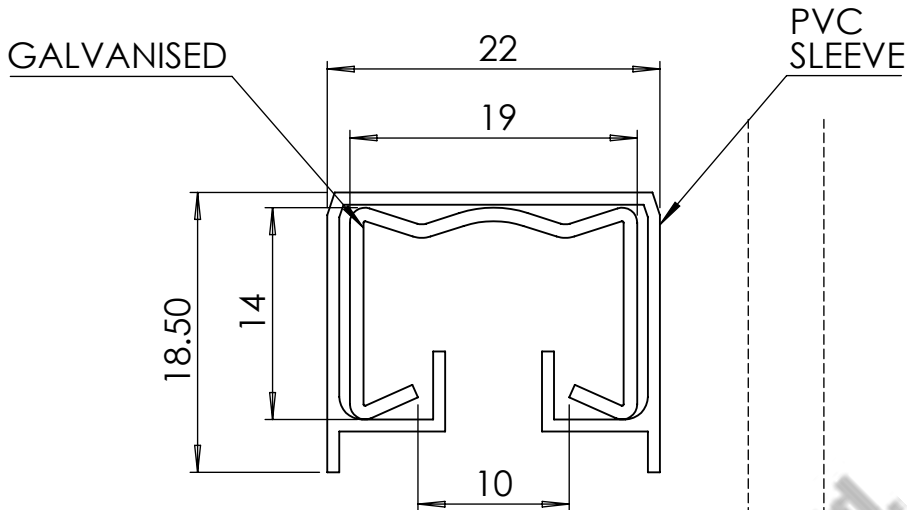
3

2

1

F

F



*315AMP- CU-GI - 04 BAR  
PIN TYPE (M)  
RED YELLOW BLUE GREEN  
COLOUR PVC*

D

D

C

C

B

B

COMPANY NAME:



**ANAND SYSTEM  
ENGINEERING PVT LTD**

DO NOT SCALE DRAWING.

REVISION:

TITLE:

**SAFELINK 315Amp  
RYBG CU-GI M-  
TYPE 2D**

Email id: info@anandcontrol.in

FINISH:

CONTACT NO: 9137620579

DWG NO.

A

A

DRAWN	SAURABH
CHK'D	
APP'D	
MFG	

MATERIAL:

DATE:

SIGNATURE:

A

WEIGHT:

SCALE:

SHEET: 1 OF 1

4

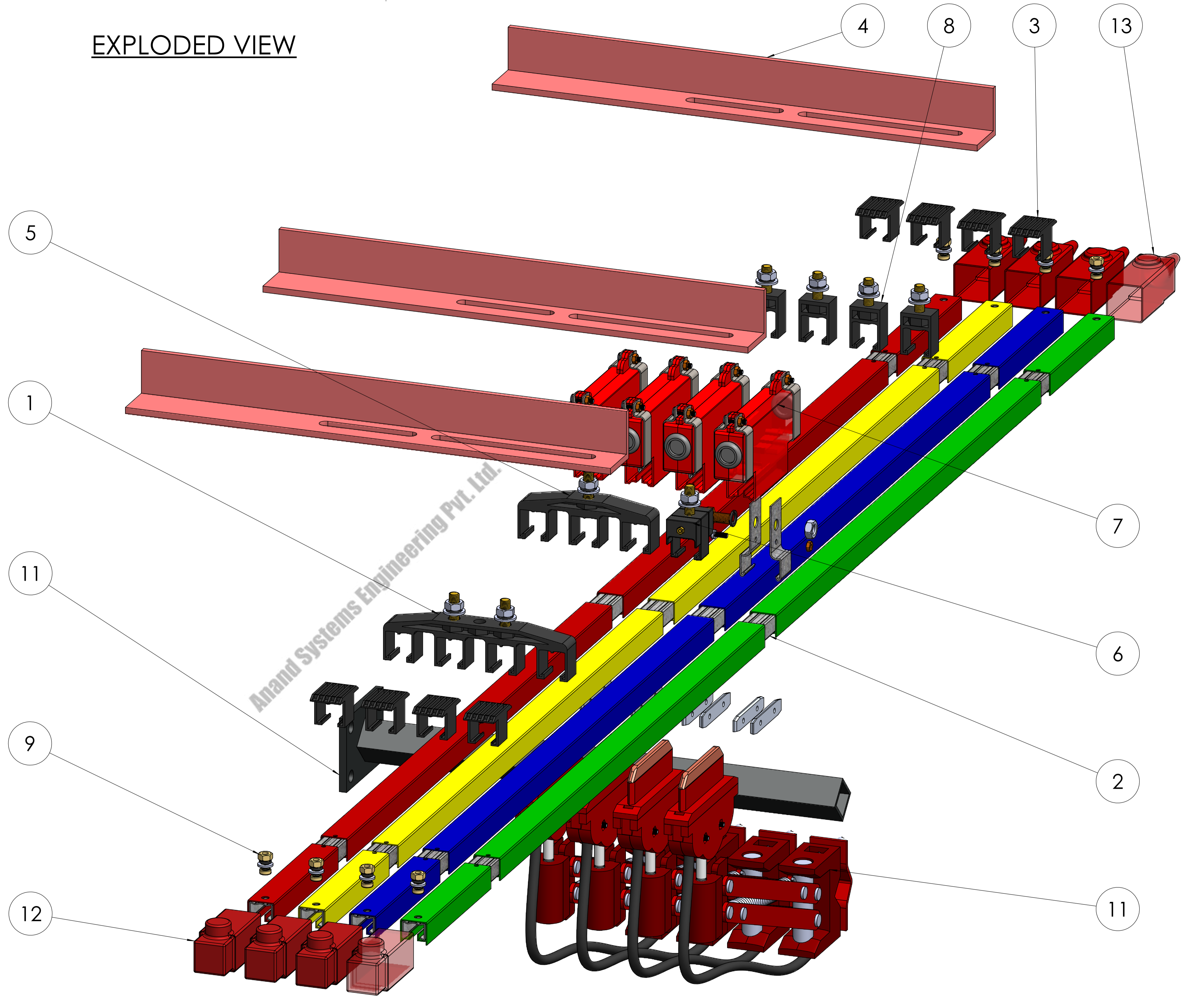
3

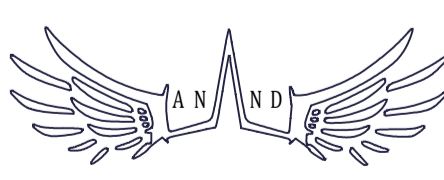
2

1

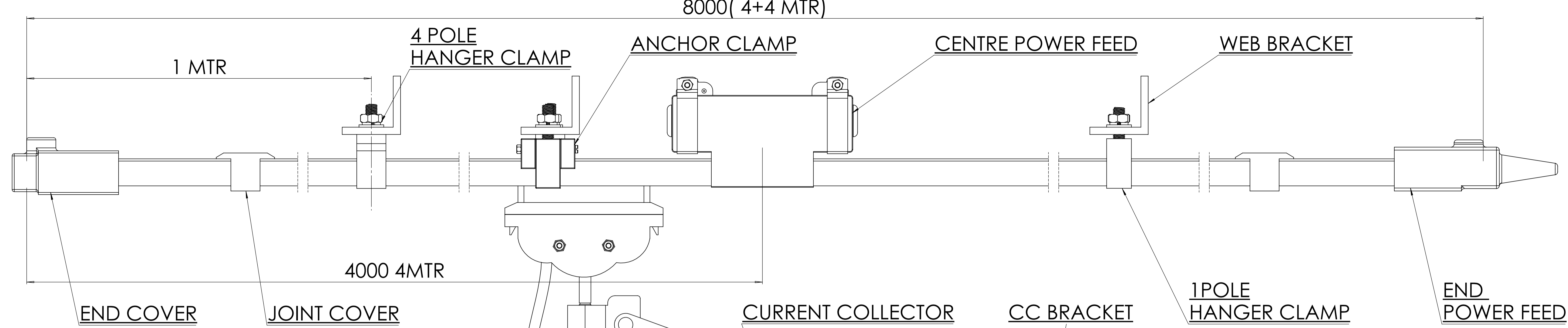
ITEM NO.	PART NAME	DESCRIPTION	MATERIAL	QTY.
1	<b>4 POLE HANGER CLAMP ASSM M-TYPE</b>	151X57X20	DELRIN	1
	4 POLE HANGER CLAMP M-TYPE	151X37X20	DELRIN	1
	HEX BOLT	M8, 8X25	M.S.	2
	M8 PLAIN WASHER	17X8.4X1.5	M.S.	2
	HEX NUT	M8	M.S.	2
	SPRING WASHER	M8	SPRING STEEL 4454 GRADE-02	2
2	<b>DSL BUSBAR ASSM M TYPE</b>	4 MTR	GALVANISED	4
	DSL BUSBAR GI M-TYPE	4MTR	GALVANISED	1
	DSL BUSBAR SLEEVE M-TYPE	4MTR	PVC	1
3	<b>JOINT COVER M-TYPE</b>	40X26X25	DELRIN	8
4	<b>Web-Bracket M-TYPE</b>	40X40X400, THK-5 MM	M.S.	3
5	<b>3 POLE HANGER CLAMP ASSM M-TYPE</b>	109X57X20	DELRIN	1
	3 POLE HANGER CLAMP M-TYPE	109X37X20	DELRIN	1
	HEX BOLT	M8, 8X25	M.S.	1
	M8 PLAIN WASHER	17X8.4X1.5	M.S.	1
	HEX NUT	M8	M.S.	1
	SPRING WASHER	M8	SPRING STEEL 4454 GRADE-02	1
6	<b>ANCHOR CLAMP ASSM M-TYPE</b>	25X34X37	DELRIN	1
	ANCHOR CLAMP M-TYPE	25X34X17	DELRIN	1
	ANCHOR CLAMP PART 1	25X20X10	DELRIN	2
	BOLT 3X40	M3 X40	M.S.	1
	HEX NUT	M3	M.S.	1
	HEX BOLT	M8, 8X25	M.S.	1
	M8 PLAIN WASHER	17X8.4X1.5	M.S.	1
	HEX NUT	M8	M.S.	1
	SPRING WASHER	M8	SPRING STEEL 4454 GRADE-02	1
7	<b>CENTRE POWER FEED M-TYPE</b>	124X63X24	PPCP	4
	MOULDING CENTRE POWER FEED COVER	124X63X24	PPCP	2
	GI-CLAMP	60X18.5	GALVANISED	2
	SS CLAMP	52X27, 1 THK	S.S	2
	GRUMET	GRUMET 3/4"	RUBBER	2
	HEX BOLT	M8, 8X15	M.S.	1
	HEX NUT	M8	M.S.	1
	SPRING WASHER	M8	SPRING STEEL 4454 GRADE-02	1
	HEX NUT	M4	M.S.	3
	PAN HEADED SCREW	4X10	M.S.	1
	PAN HEADED SCREW	4X15	M.S.	2
8	<b>SINGLE POLE HANGER CLAMP ASSM M-TYPE</b>	25X55X17	DELRIN	4
	SINGLE POLE HANGER CLAMP	25X34X17	DELRIN	1
	HEX BOLT	M8, 8X25	M.S.	1
	M8 PLAIN WASHER	17X8.4X1.5	M.S.	1
	HEX NUT	M8	M.S.	1
	SPRING WASHER	M8	SPRING STEEL 4454 GRADE-02	1
9	<b>END POWER FEED ASSM M-TYPE.SLDPRT</b>			8
	BOLT	M6X15	M.S.	1
	HEX NUT	M6	M.S.	1
	PLAIN WASHER M6	13X6.5X1.5	M.S.	1
	SPRING WASHER	M6	SPRING STEEL 4454 GRADE-02	1
11	<b>CURRENT COLLECTOR ASSM</b>	60,100,125,250 AMP		4
	ARM 1	220X16X3	M.S.	4
	LOWER BRACKET	56X73X30	CASTING	1
	LOWER PIN	16X70	M.S.	1
	VERTICAL LEVER CC	50X61X24	PLASTIC	1
	SPACER PIN	26X Ø 6	M.S.	6
	UPPER BRACKET	108.5X43X10	PLASTIC	2
	VERTICAL STUD	104X Ø 7	M.S.	1
	SHOE HOLDER	108.5X20X40	PLASTIC	1
	CONTACT PATTI	87X47X3	COPPER	1
	SPRING	Ø 13.5X22	SPRING STEEL 4454 GRADE-02	1
	LOWER BRACKET CC 2	70X30X3	M.S.	1
	HEX BOLT	8X40	M.S.	2
	PLAIN WASHER W TYPE	18.5X9X1.5	M.S.	2
	HEX NUT	M4	M.S.	2
	TENSION SPRING	Ø 15X115	SPRING STEEL 4454 GRADE-02	1
	wire	105 SQ MM, 1mtr		1
	PAN HEADED SCREW	4X15	M.S.	2
	NUT	M6	M.S.	2
11	<b>C.C-Bracket</b>	80X60XTHK-5, SQ-25X25X400	M.S.	1
12	<b>END COVER M-TYPE</b>	L-73, SQ30X30	PVC	4
13	<b>END POWER FEED COVER M-TYPE</b>	L-102, SQ30X30	PVC	4
14	<b>JOINT CLAMP PIN</b>	60X12X3	GALVANISED	8

## EXPLODED VIEW



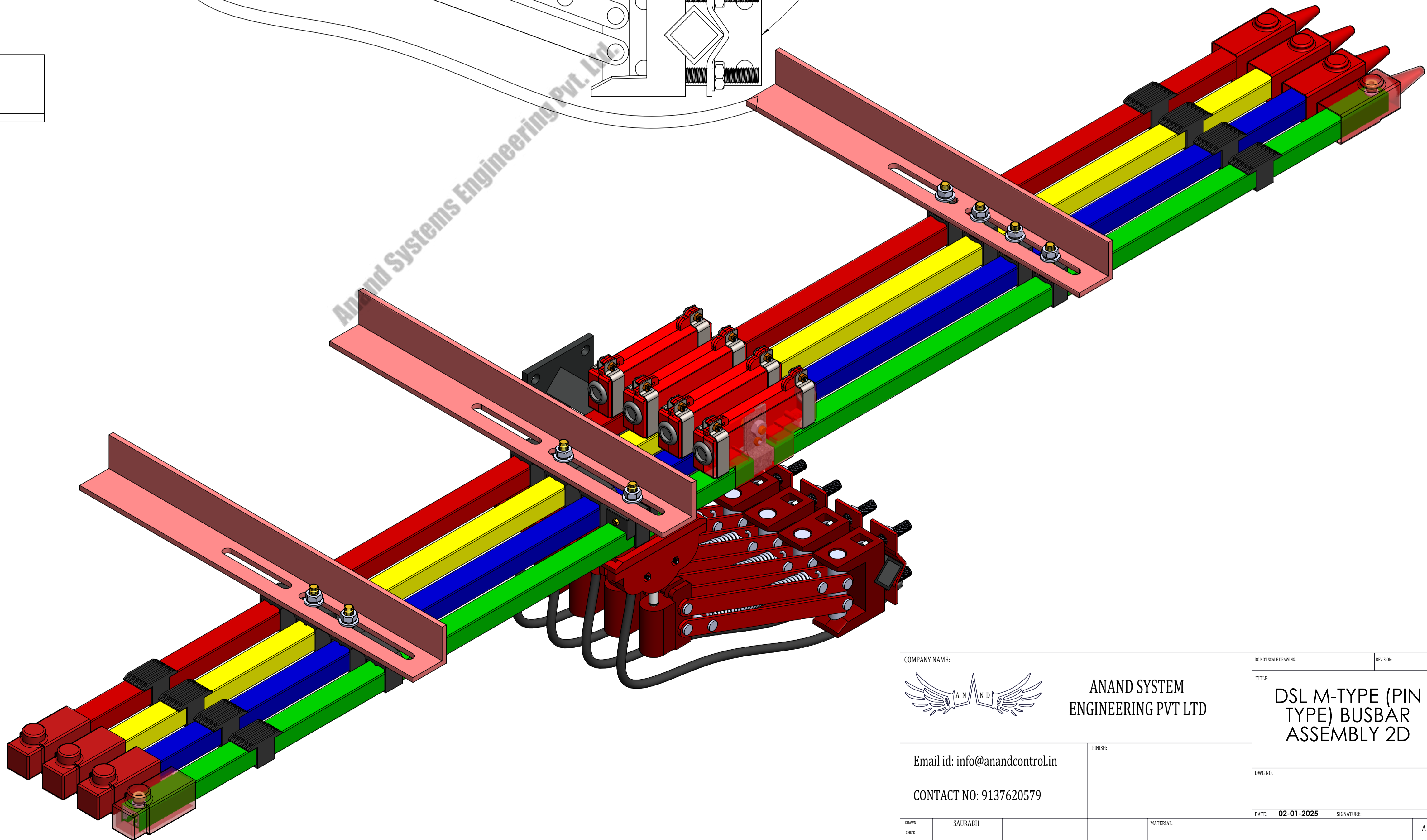
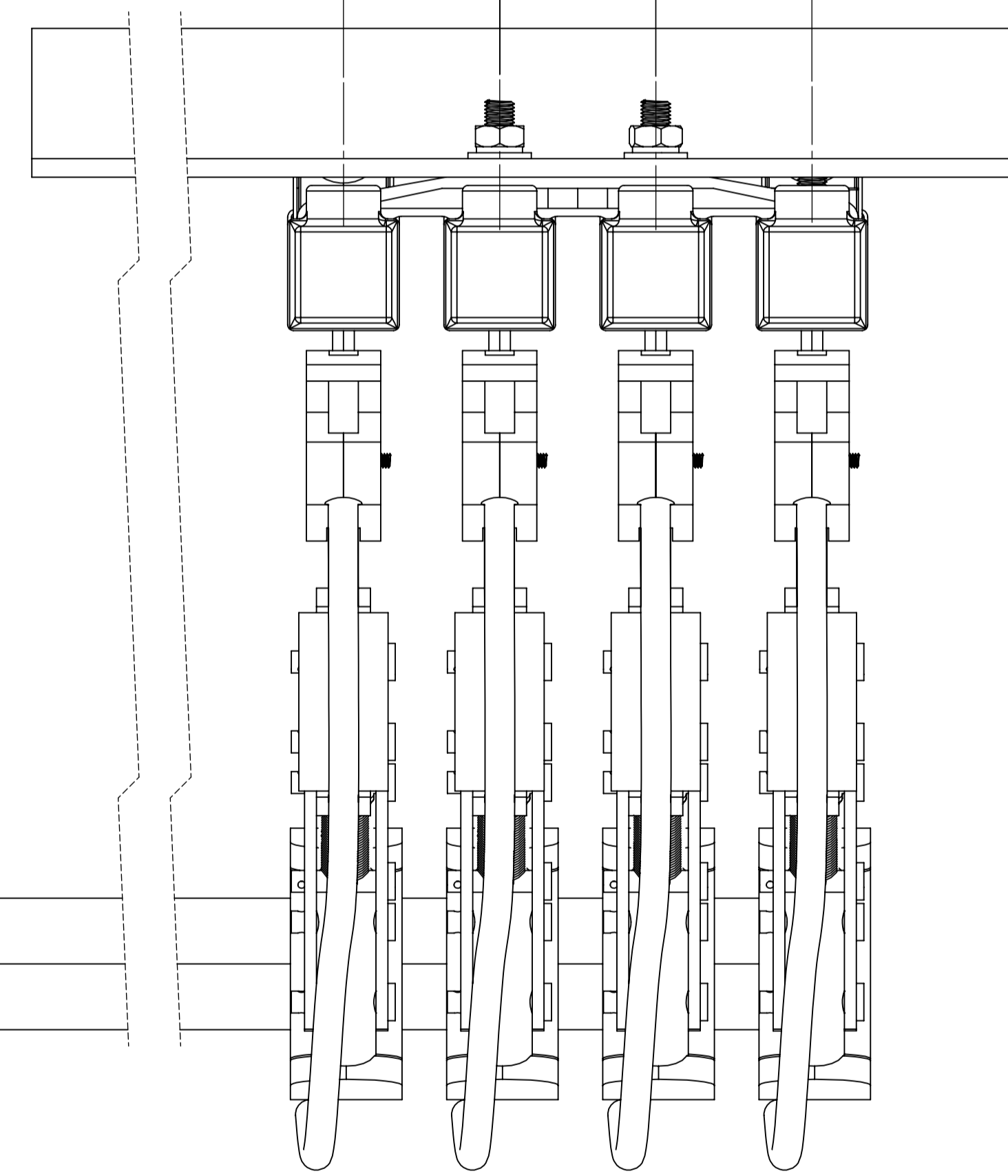
COMPANY NAME:  <b>ANAND SYSTEM ENGINEERING PVT LTD</b>		DO NOT SCALE DRAWING REGION:
Email id: info@anandcontrol.in CONTACT NO: 9137620579		TITLE: <b>DSL M-TYPE (PIN TYPE) BUSBAR ASSEMBLY 2D</b>
DRAWN: SAURABH CHECKED: APPROVED: MFC:		DWG NO: DATE: 02-01-2025 SIGNATURE:
MATERIAL: WEIGHT:		SHEET: 1 OF 1

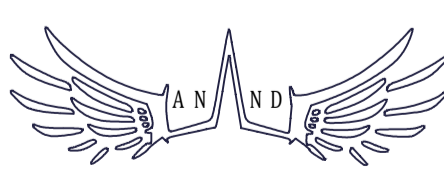
16 15 14 13 12 11 10 9 8 7 6 5 4 3 2 1



43 (DISTANCE BETWEEN 2 DSL BUSBAR)

43 43



COMPANY NAME:		ANAND SYSTEM ENGINEERING PVT LTD		DO NOT SCALE DRAWING	REVISION:
		Email id: info@anandcontrol.in CONTACT NO: 9137620579		TITLE: <b>DSL M-TYPE (PIN TYPE) BUSBAR ASSEMBLY 2D</b>	
DATE: 02-01-2025	SIGNATURE:	MATERIAL:		DWG NO:	
SCALE:	SHEET: 1 OF 1	WEIGHT:		A	

16 15 14 13 12 11 10 9 8 7 6 5 4 3 2 1

4

3

2

1

F

F

E

E

D

D

C

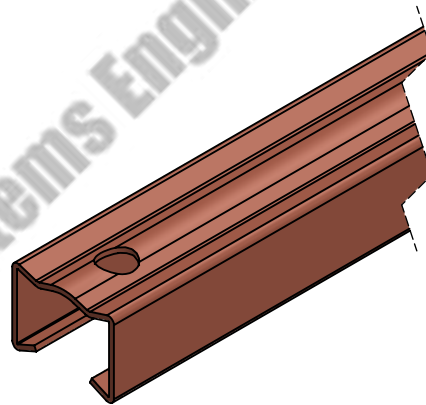
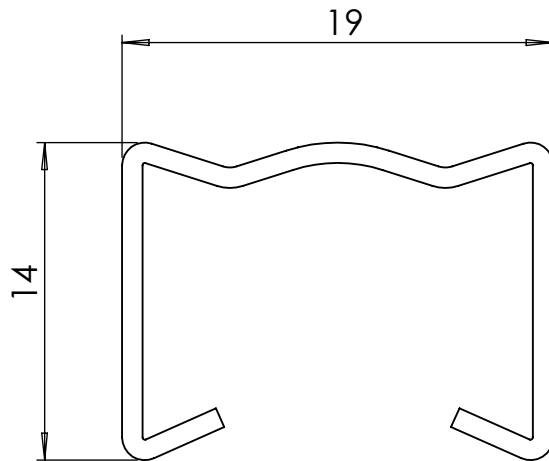
C

B

B

A

A



Anand Systems Engineering Pvt. Ltd.

COMPANY NAME:



ANAND SYSTEM  
ENGINEERING PVT LTD

DO NOT SCALE DRAWING.

REVISION:

TITLE:

DSL BUSBAR  
CU M-TYPE 2D

Email id: info@anandcontrol.in

CONTACT NO: 9137620579

FINISH:

DWG NO.

DATE:

SIGNATURE:

DRAWN	SAURABH
CHK'D	
APP'D	
MFG	

MATERIAL:

WEIGHT:

SCALE:

SHEET: 1 OF 1

A

4

3

2

1

4

3

2

1

F

F

E

E

D

D

C

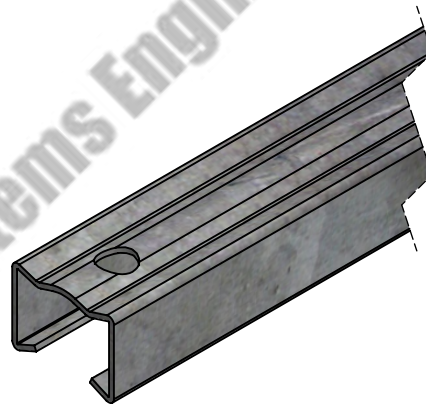
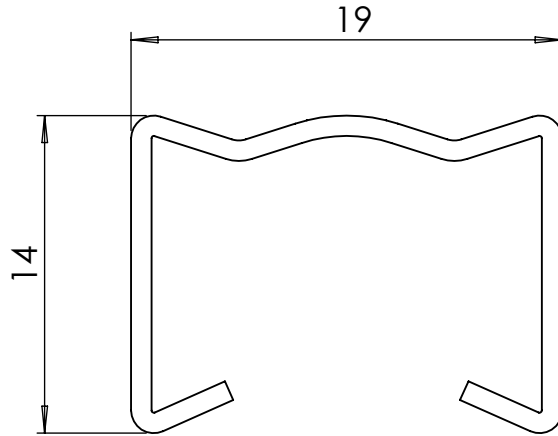
C

B

B

A

A



Anand Systems Engineering Pvt. Ltd.

COMPANY NAME:



**ANAND SYSTEM  
ENGINEERING PVT LTD**

DO NOT SCALE DRAWING.

REVISION:

TITLE:

**DSL BUSBAR GI  
M-TYPE 2D**

Email id: info@anandcontrol.in

CONTACT NO: 9137620579

FINISH:

DWG NO.

DATE:

SIGNATURE:

DRAWN	SAURABH
CHK'D	
APP'D	
MFG	

MATERIAL:

WEIGHT:

SCALE:

SHEET: 1 OF 1

4

3

2

1

4

3

2

1

F

F

E

E

D

D

C

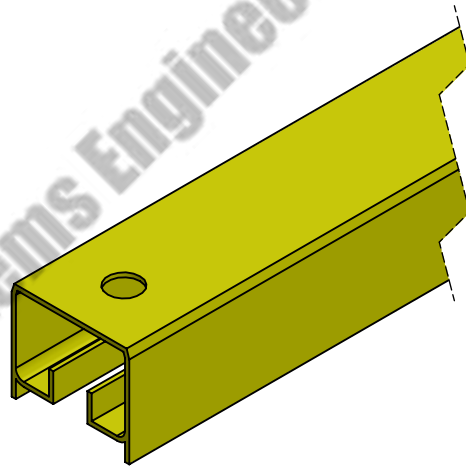
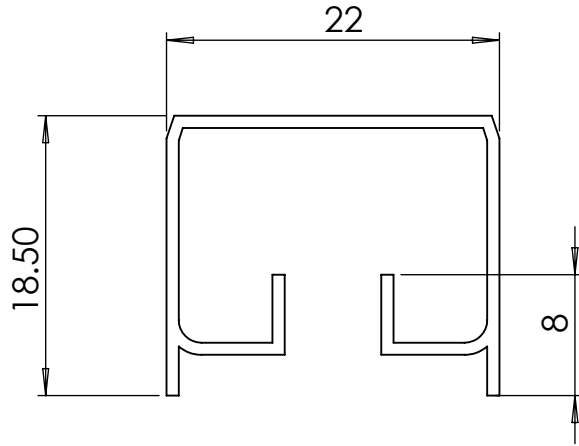
C

B

B

A

A



Anand Systems Engineering Pvt. Ltd.

COMPANY NAME:



ANAND SYSTEM  
ENGINEERING PVT LTD

DO NOT SCALE DRAWING.

REVISION:

TITLE:

DSL BUSBAR  
SLEEVE M-TYPE  
2D

Email id: info@anandcontrol.in

CONTACT NO: 9137620579

FINISH:

DWG NO.

DATE:

SIGNATURE:

DRAWN	SAURABH
CHK'D	
APP'D	
MFG	

MATERIAL: PVC

WEIGHT:

SCALE:

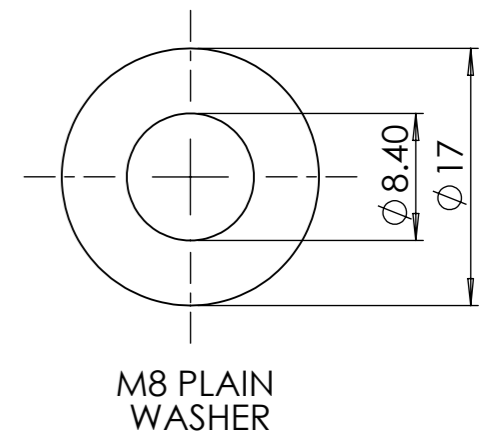
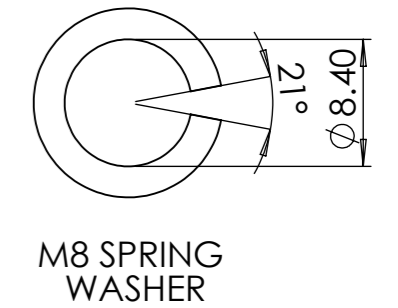
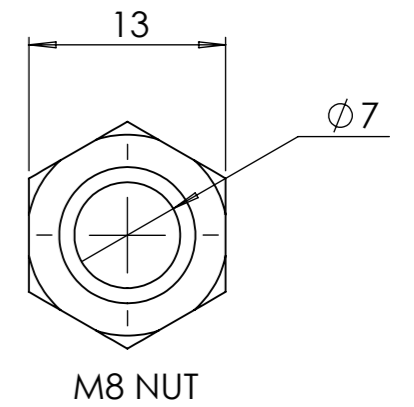
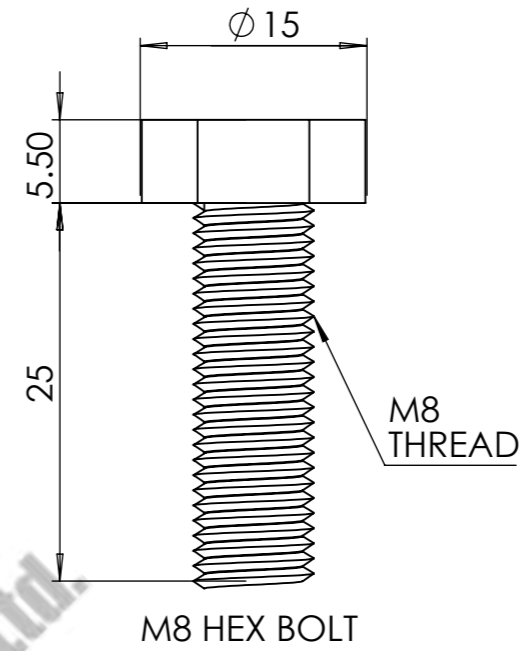
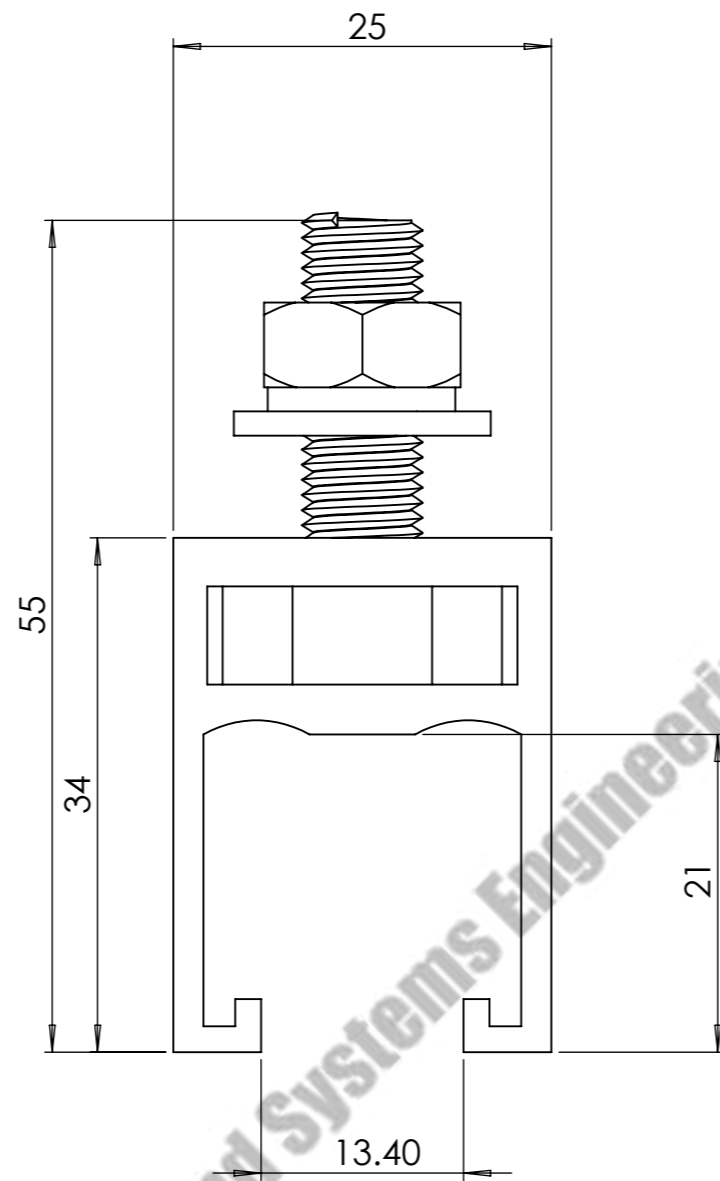
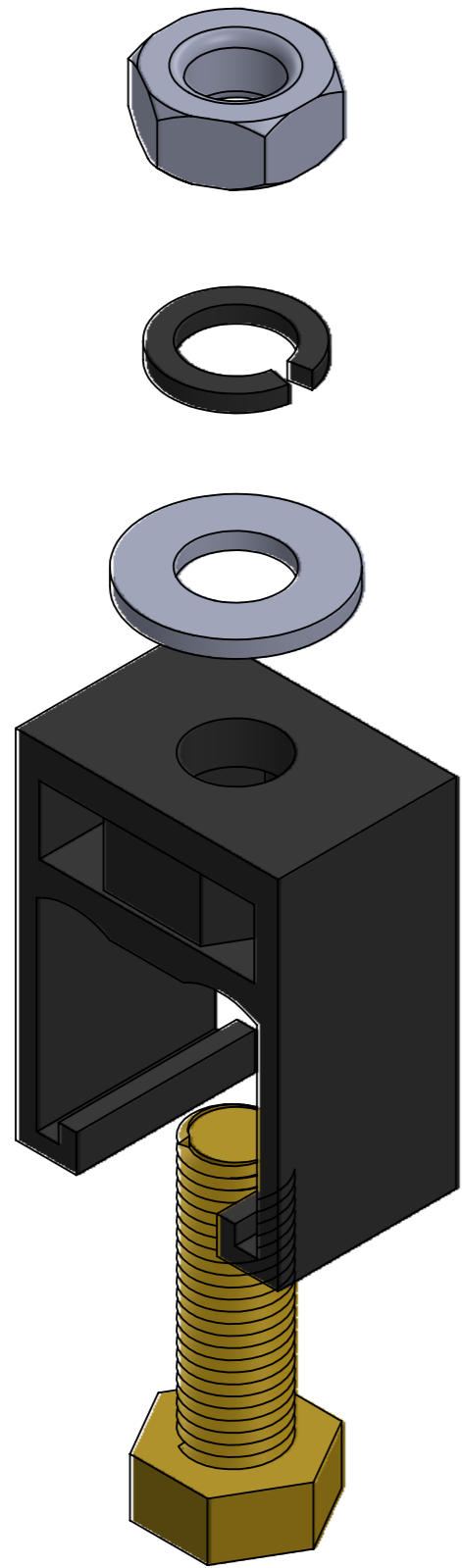
SHEET: 1 OF 1


4

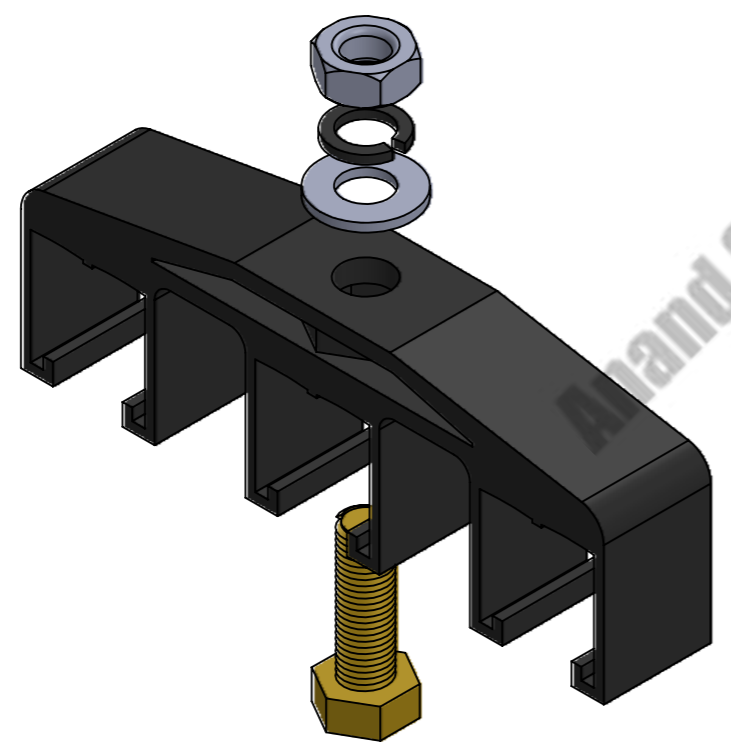
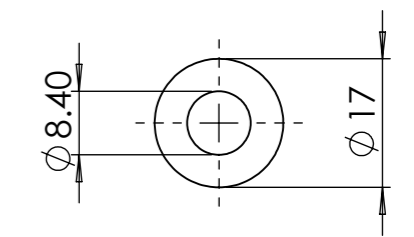
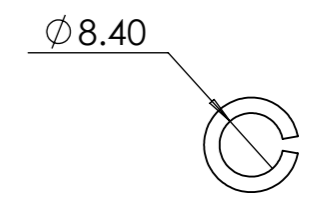
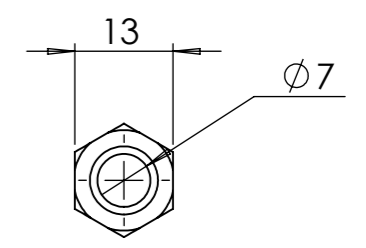
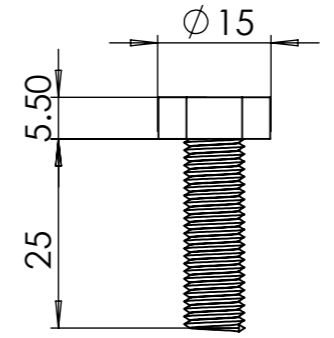
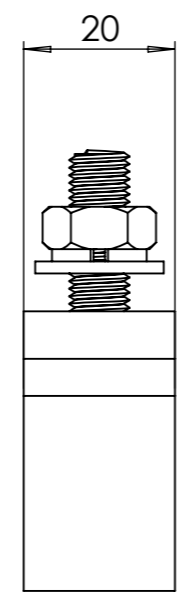
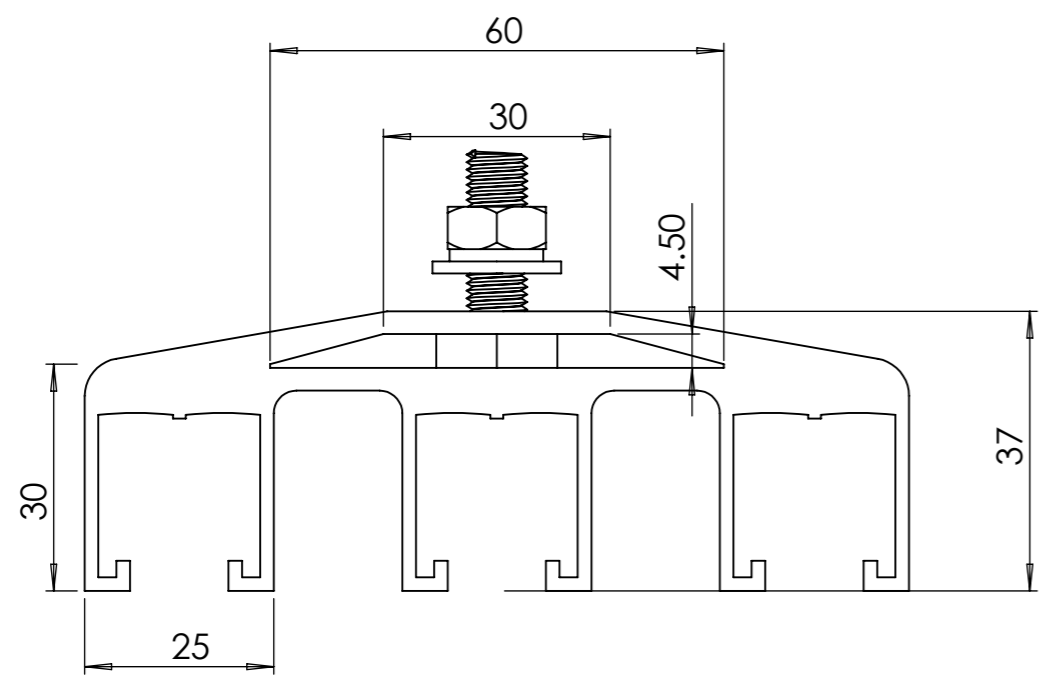
3

2


1



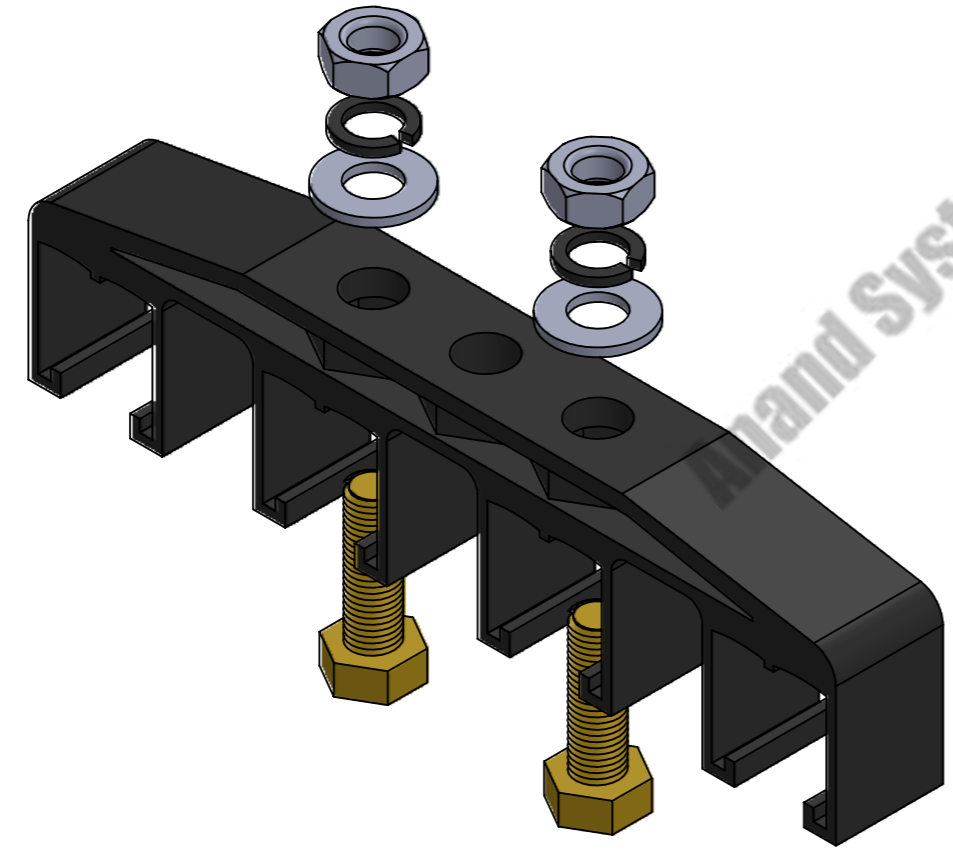
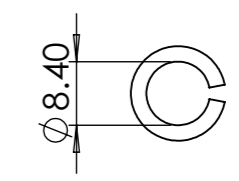
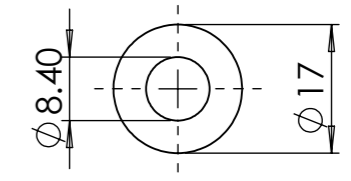
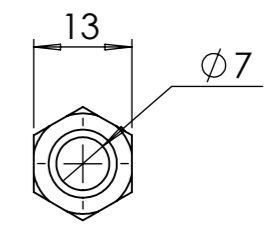
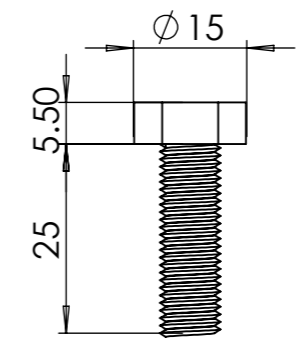
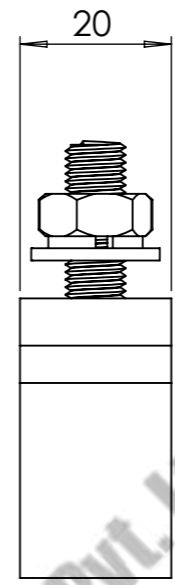
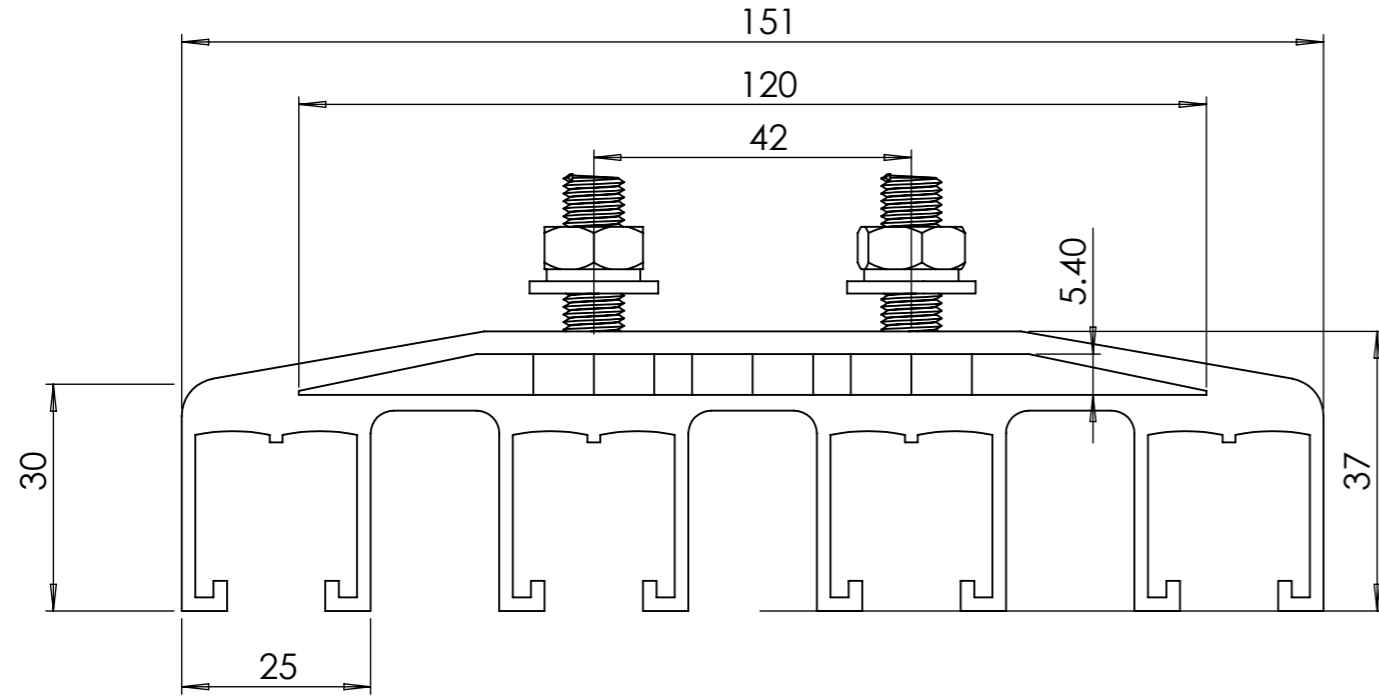
COMPANY NAME:		ANAND SYSTEM ENGINEERING PVT LTD		DO NOT SCALE DRAWING.	REVISION:
		Email id: info@anandcontrol.in CONTACT NO: 9137620579		TITLE: <b>SINGLE POLE HANGER CLAMP ASSM M-TYPE 2D</b>	
DRAWN: SAURABH		MATERIAL:		DWG NO.	
CHK'D:		FINISH:		DATE:	
APPY'D:		WEIGHT:		SIGNATURE:	
MFC:		SCALE:		SHEET: 1 OF 1	




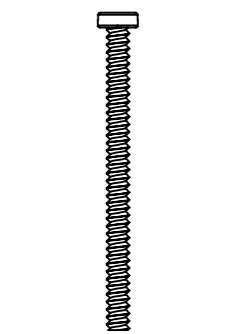
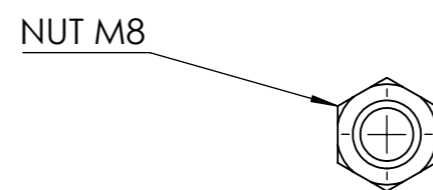
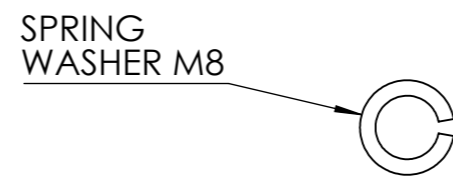
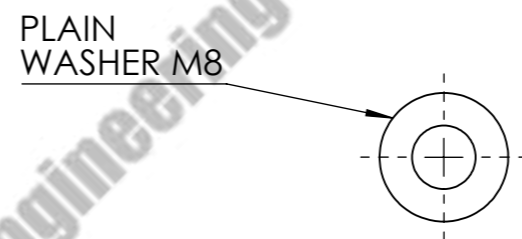
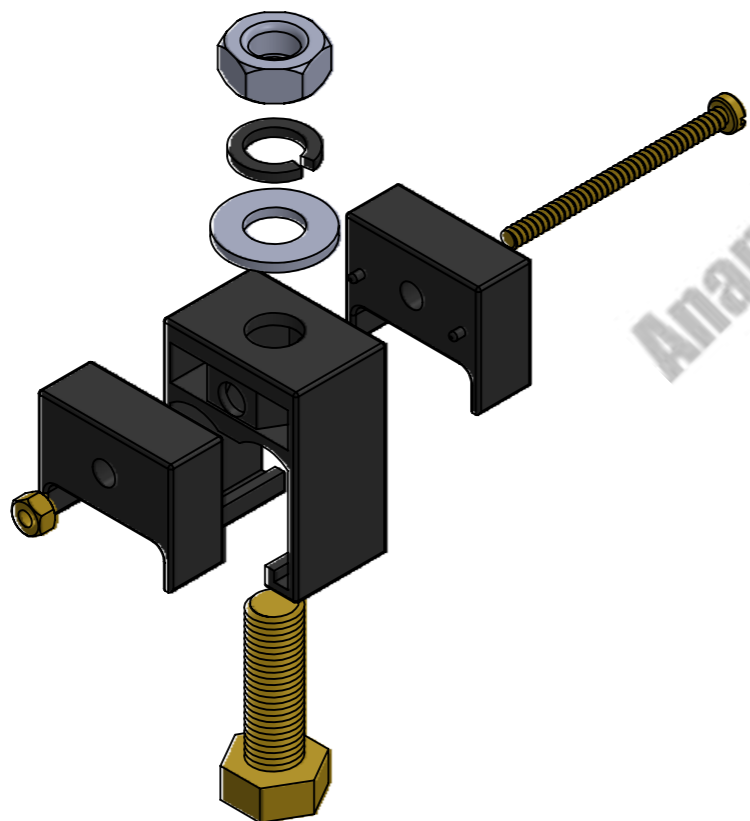
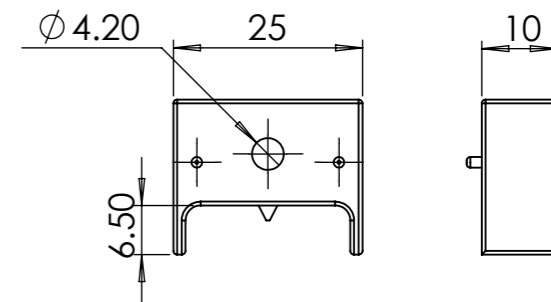
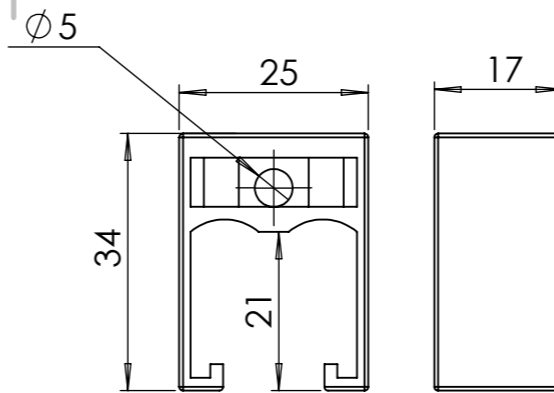
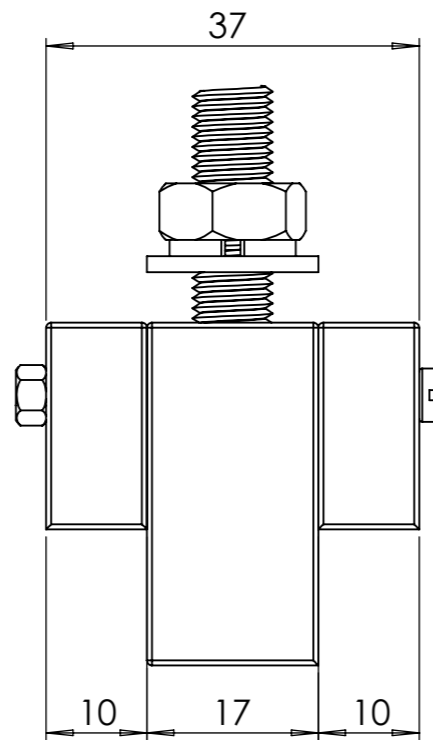
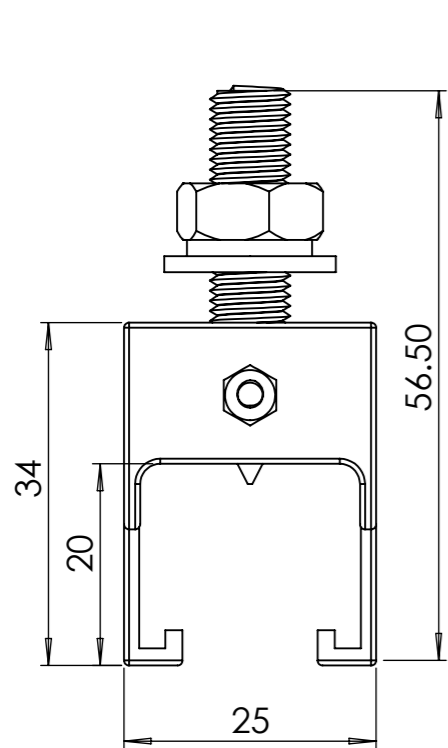
Anand Systems Engineering Pvt. Ltd.


COMPANY NAME:		ANAND SYSTEM ENGINEERING PVT LTD		DO NOT SCALE DRAWING.	REVISION:
		Email id: info@anandcontrol.in CONTACT NO: 9137620579		TITLE: <b>3 POLE HANGER CLAMP ASSM M-TYPE 2D</b>	
FINISH:		MATERIAL:		DWG NO.	
DATE:		SIGNATURE:		A	
DRAWN	SAURABH			SCALE:	
CHK'D				SHEET: 1 OF 1	
APPY'D					
MFG					

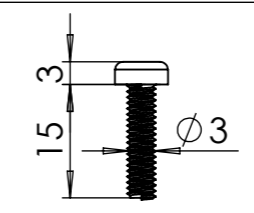
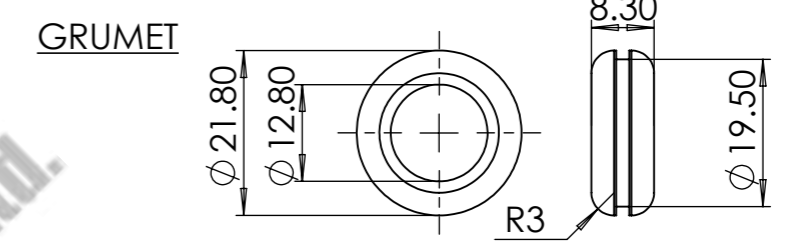
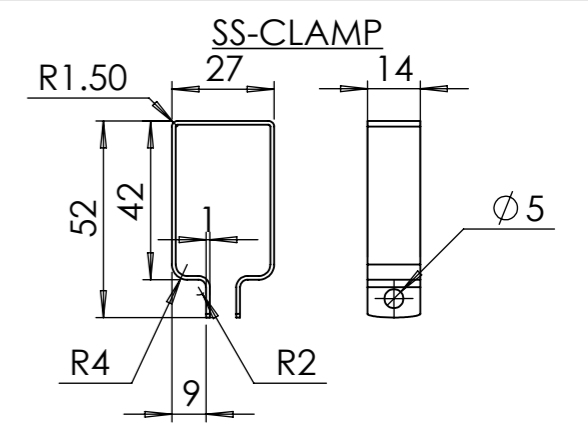
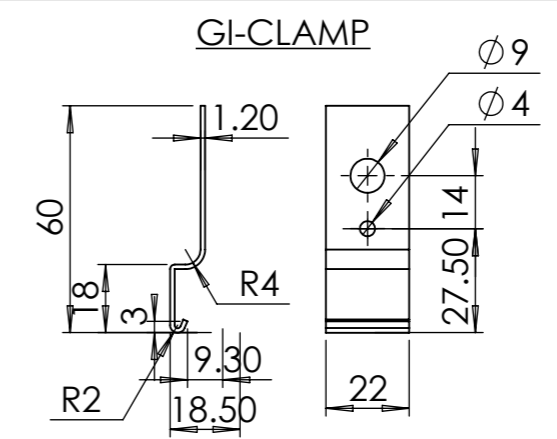
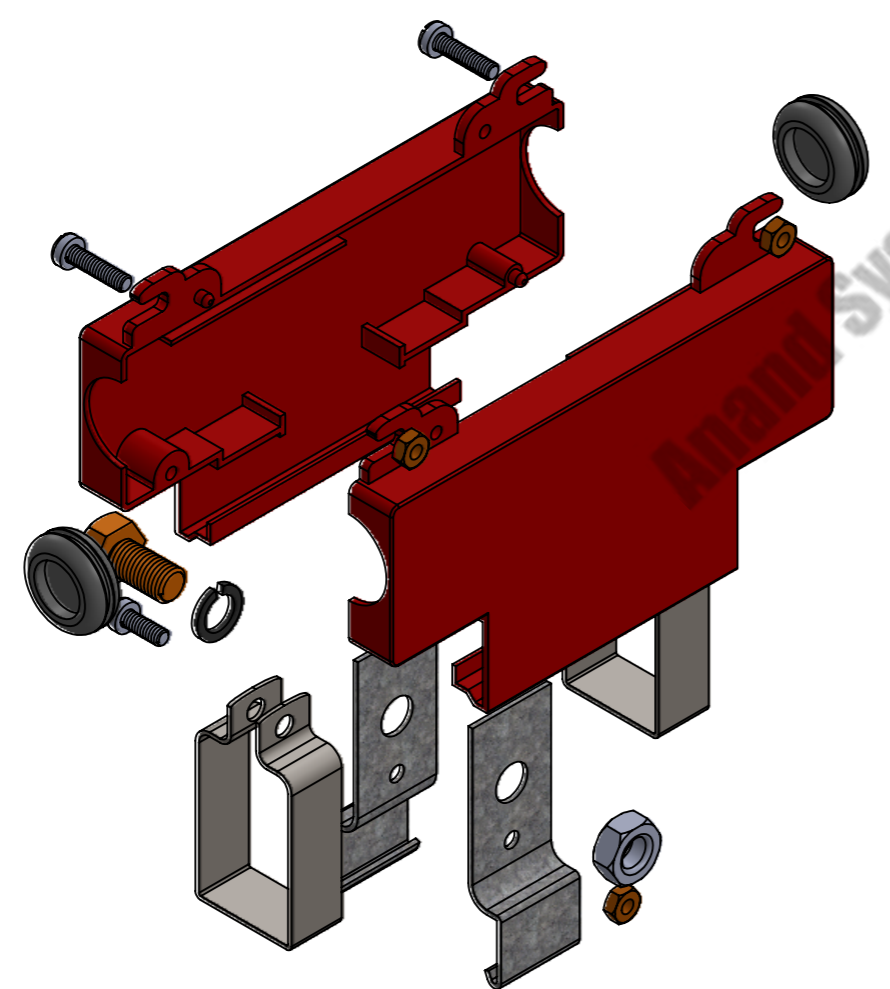
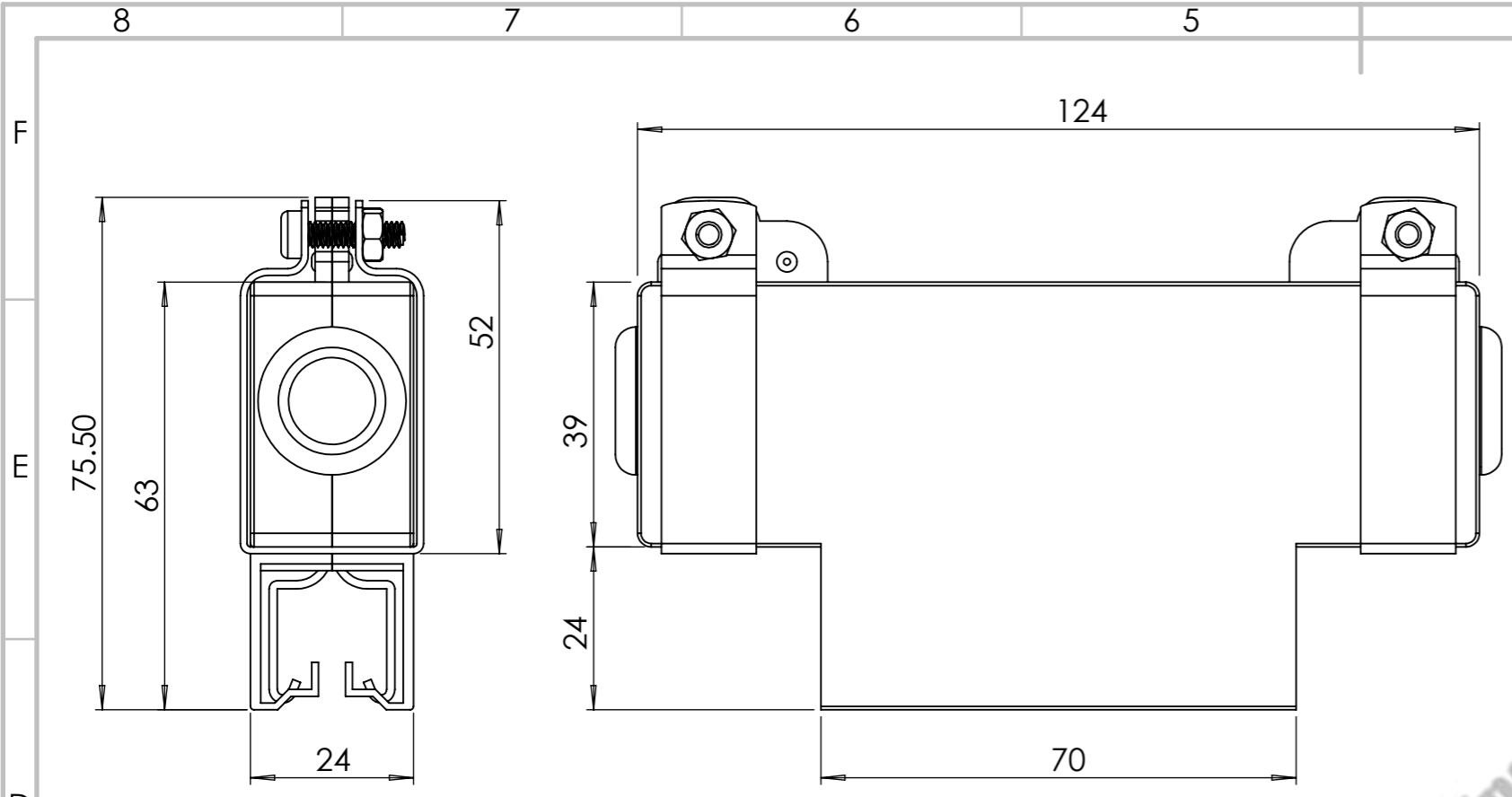




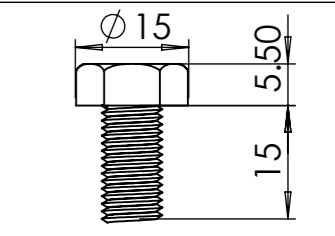
COMPANY NAME:		ANAND SYSTEM ENGINEERING PVT LTD		DO NOT SCALE DRAWING.	REVISION:
		Email id: info@anandcontrol.in CONTACT NO: 9137620579		TITLE: <b>4 POLE HANGER CLAMP ASSM M-TYPE 2D</b>	
FINISH:		MATERIAL:		DWG NO.	
DATE:		SIGNATURE:		A	
DRAWN	SAURABH			SCALE:	
CHK'D				SHEET: 1 OF 1	
APPY'D					
MFG					



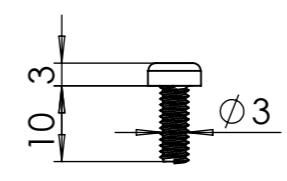
COMPANY NAME:		ANAND SYSTEM ENGINEERING PVT LTD		DO NOT SCALE DRAWING.	REVISION:
		Email id: info@anandcontrol.in CONTACT NO: 9137620579		TITLE: <b>ANCHOR CLAMP ASSM M-TYPE 2D</b>	
MATERIAL:		DELRIN		DWG NO.	
FINISH:				DATE:	
WEIGHT:				SIGNATURE:	
DRAWN:	SAURABH			A	
CHK'D:					
APP'D:					
MFG:				SCALE:	
				SHEET: 1 OF 1	



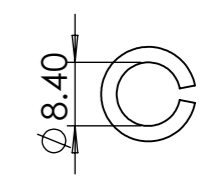
PAN SCREW M4X15



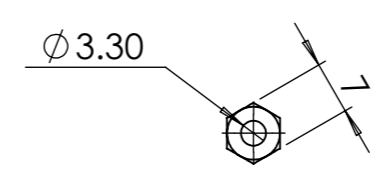
BOLT M8X15



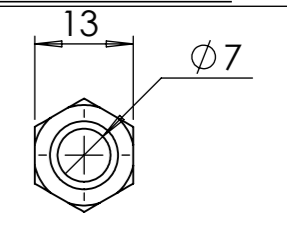
PAN SCREW M4X10




SPRING WAHSER

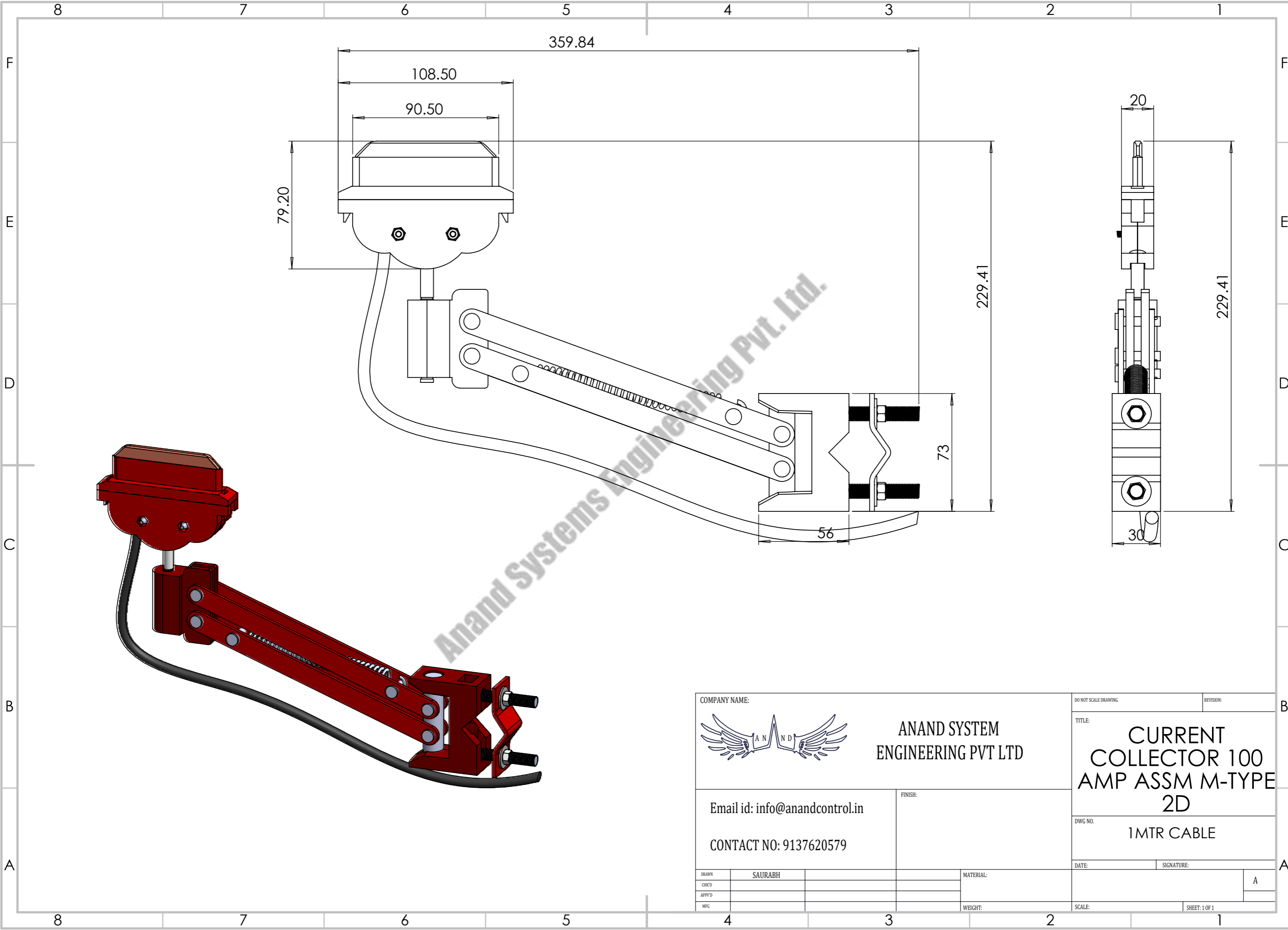


M4 NUT




M8 NUT

COMPANY NAME:		ANAND SYSTEM ENGINEERING PVT LTD		DO NOT SCALE DRAWING.	REVISION:
		<p>Email id: info@anandcontrol.in</p> <p>CONTACT NO: 9137620579</p>		<p>TITLE:</p> <p><b>CENTRE POWER FEED M-TYPE 2D</b></p>	
FINISH:		MATERIAL:		DWG NO.	
DATE:		SIGNATURE:		SCALE:	
DRAWN	SAURABH			SHEET: 1 OF 1	
CHK'D				A	
APPY'D					
MFG					



Anand Systems Engineering Pvt. Ltd.

COMPANY NAME:		ANAND SYSTEM ENGINEERING PVT LTD		DO NOT SCALE DRAWING.	REVISION:
		Email id: info@anandcontrol.in CONTACT NO: 9137620579		TITLE: <b>CURRENT COLLECTOR 100 AMP ASSM M-TYPE 2D</b>	
FINISH:		MATERIAL:		DWG NO: <b>1MTR CABLE</b>	
DATE:	SIGNATURE:			A	
SCALE:	SHEET: 1 OF 1				

4

3

2

1

F

F

E

E

D

D

C

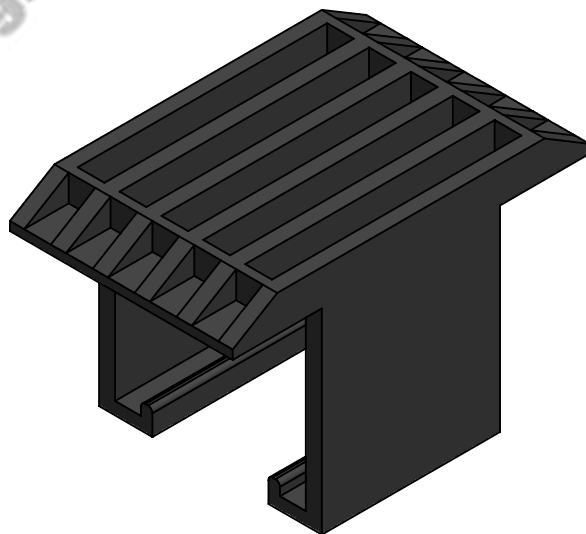
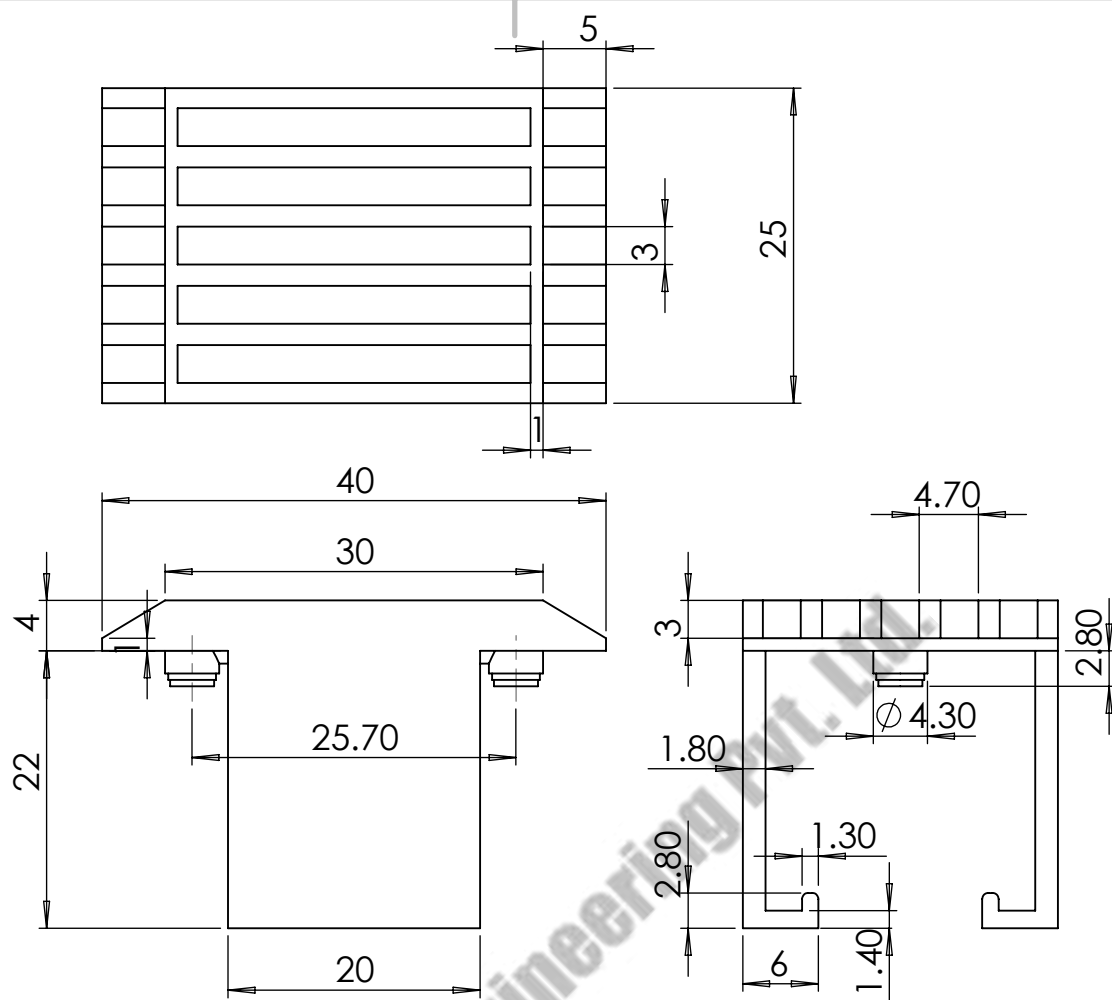
C

B

B

A

A



Anand Systems Engineering Pvt. Ltd.

COMPANY NAME:



ANAND SYSTEM  
ENGINEERING PVT LTD

DO NOT SCALE DRAWING.

REVISION:

TITLE:

JOINT COVER  
M TYPE 2D

Email id: info@anandcontrol.in

CONTACT NO: 9137620579

FINISH:

DWG NO.

DATE:

SIGNATURE:

DRAWN	SAURABH
CHK'D	
APP'D	
MFG	

MATERIAL:

WEIGHT:

SCALE:

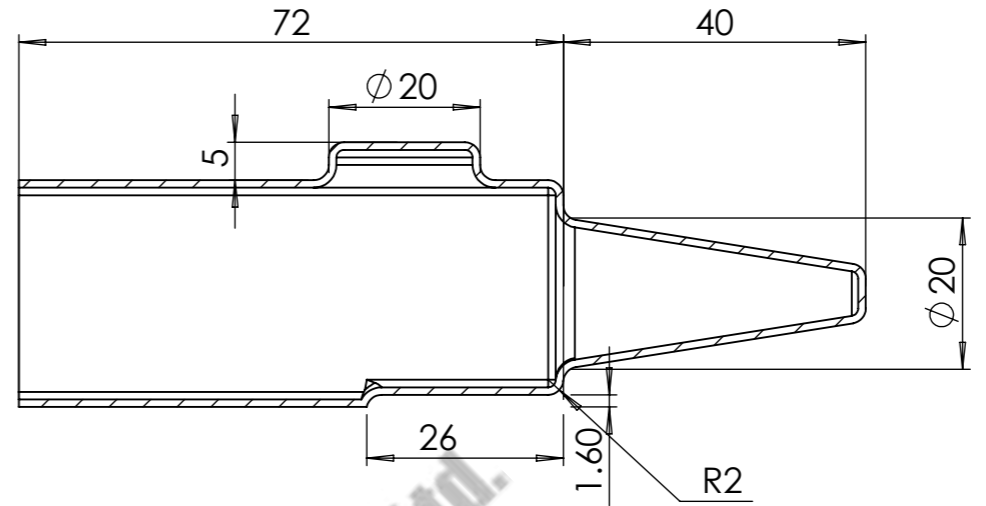
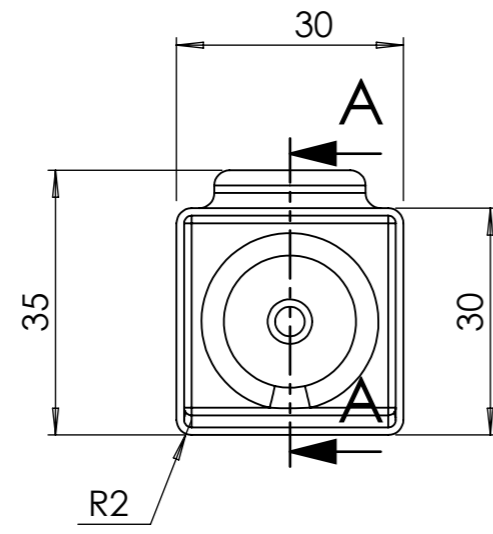
SHEET: 1 OF 1

4

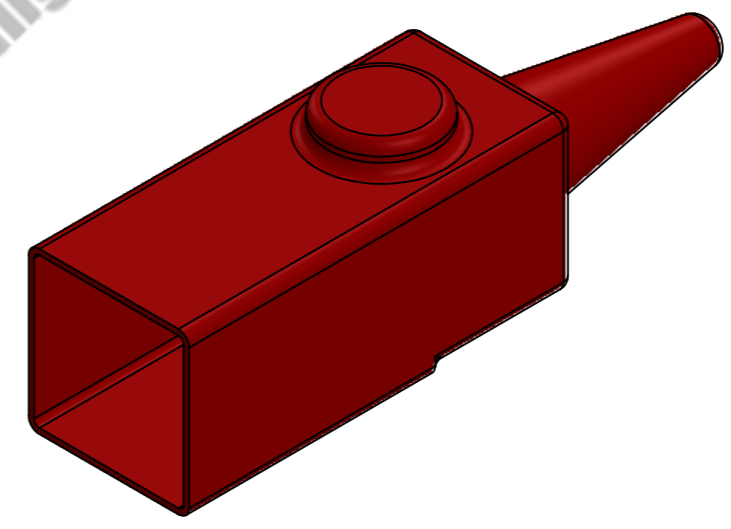
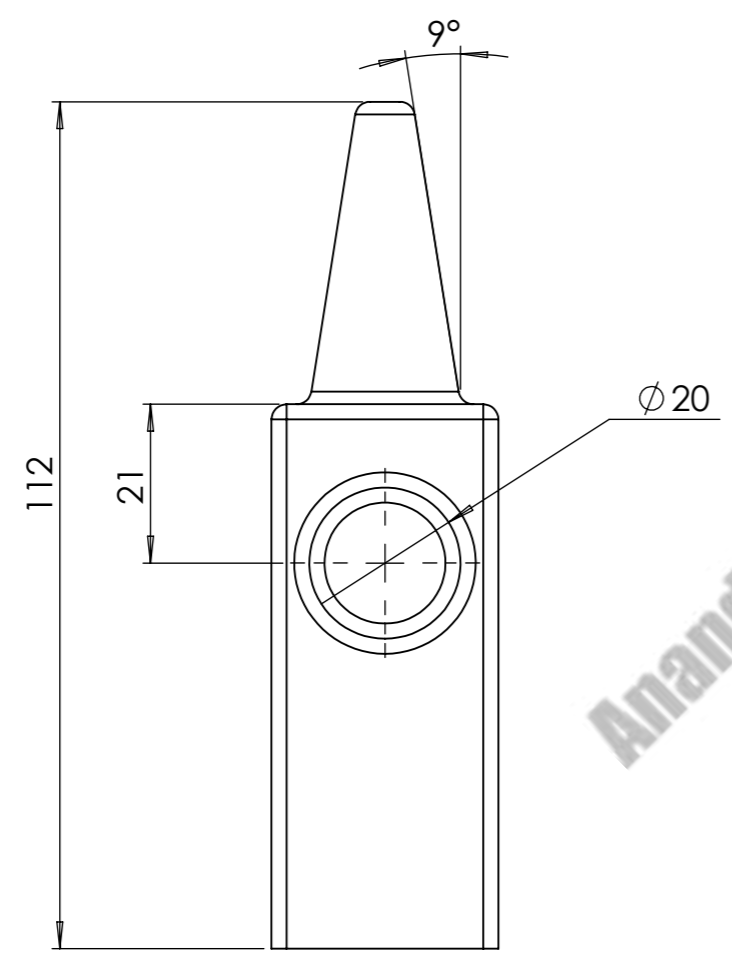
3

2


1

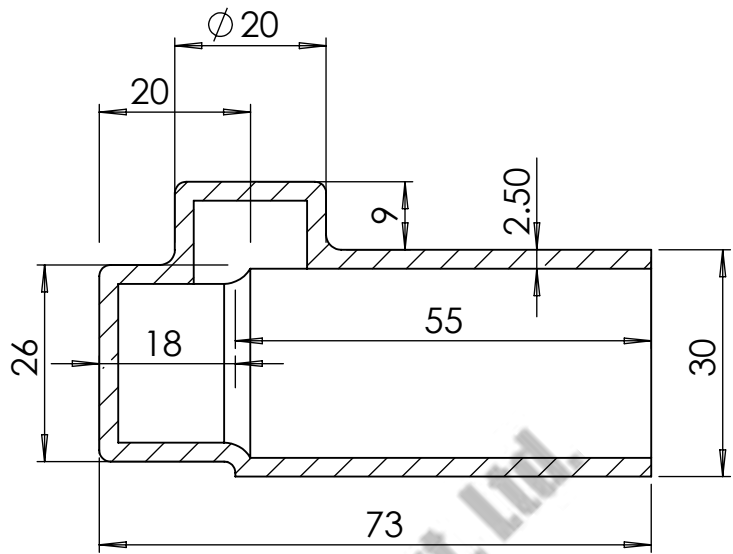
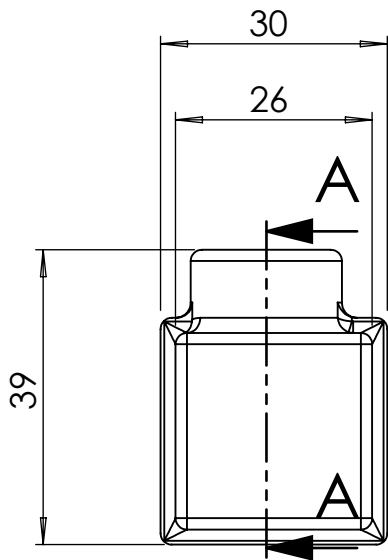


SECTION A-A

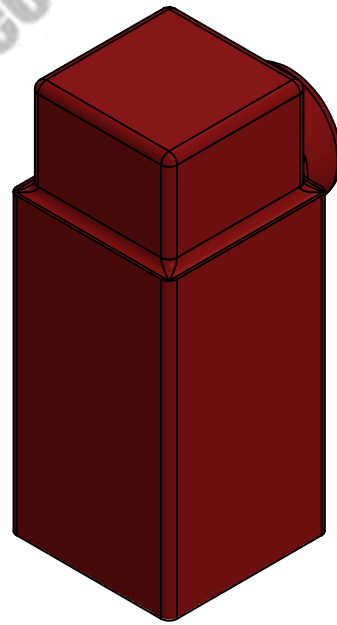


Anand Systems Engineering Pvt.Ltd.

COMPANY NAME:		DO NOT SCALE DRAWING.	REVISION:
 <b>ANAND SYSTEM ENGINEERING PVT LTD</b>		<b>TITLE:</b> <b>END POWER FEED M-TYPE 2D</b>	
Email id: info@anandcontrol.in		FINISH:	
CONTACT NO: 9137620579		DWG NO.	
DRAWN	SAURABH	DATE:	SIGNATURE:
CHK'D		SCALE:	
APPV'D		SHEET: 1 OF 1	
MFG		MATERIAL:	A
		WEIGHT:	



SECTION A-A



Anand Systems Engineering Pvt. Ltd.

COMPANY NAME:



**ANAND SYSTEM  
ENGINEERING PVT LTD**

DO NOT SCALE DRAWING.

REVISION:

TITLE:

**END COVER  
M-TYPE 2D**

Email id: info@anandcontrol.in

CONTACT NO: 9137620579

FINISH:

DWG NO.

DATE:

SIGNATURE:

DRAWN	SAURABH
CHK'D	
APP'D	
MFG	

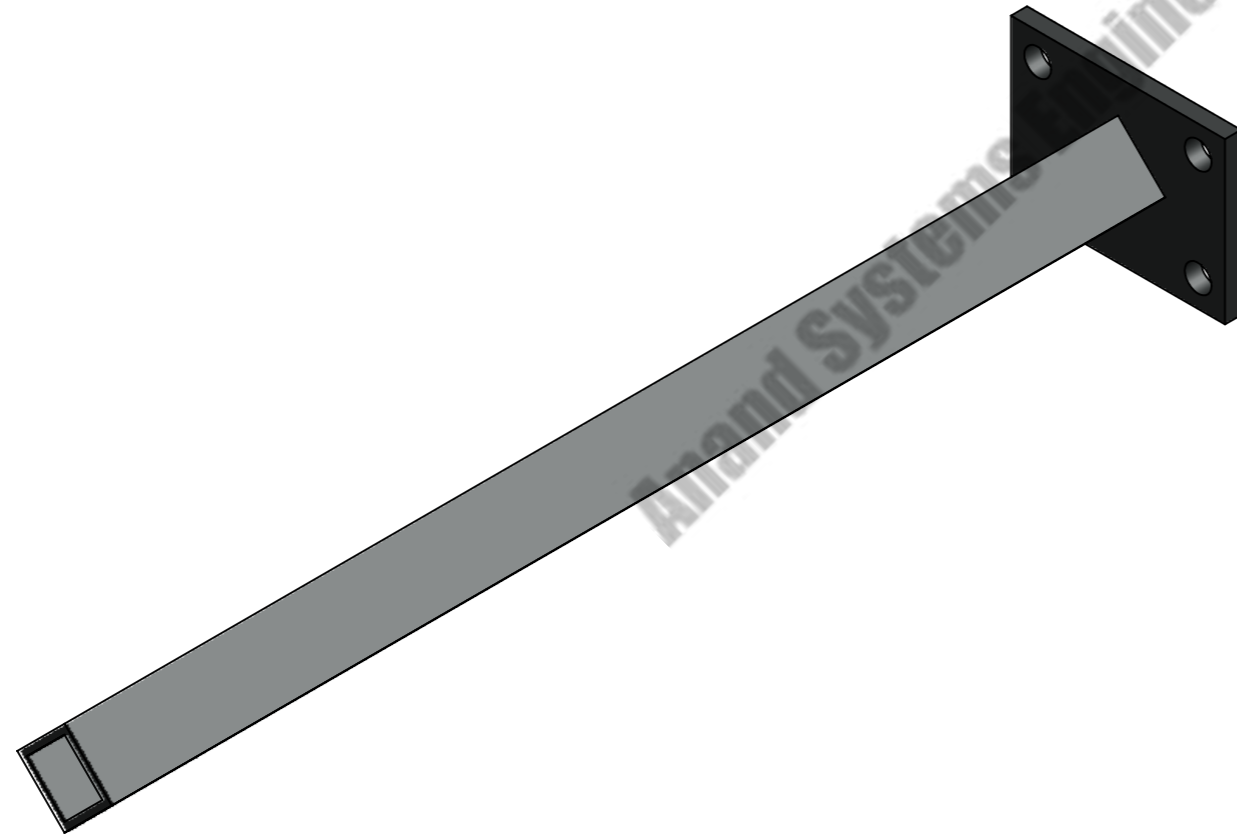
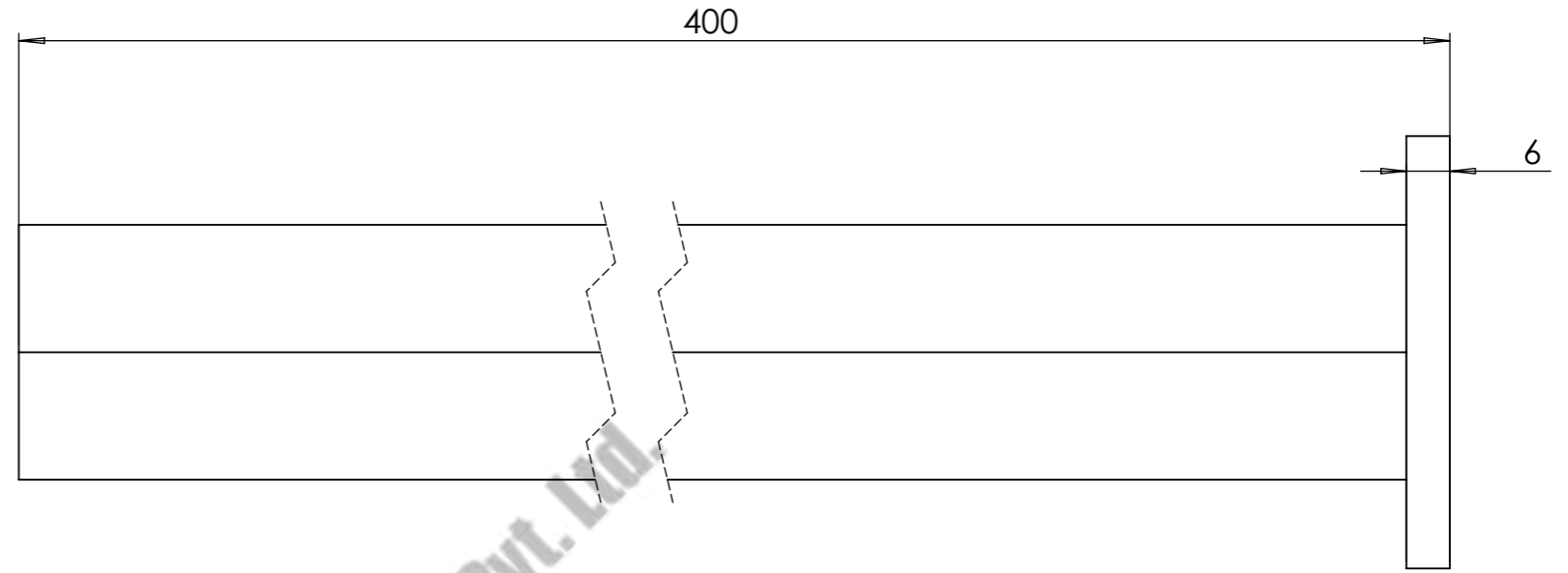
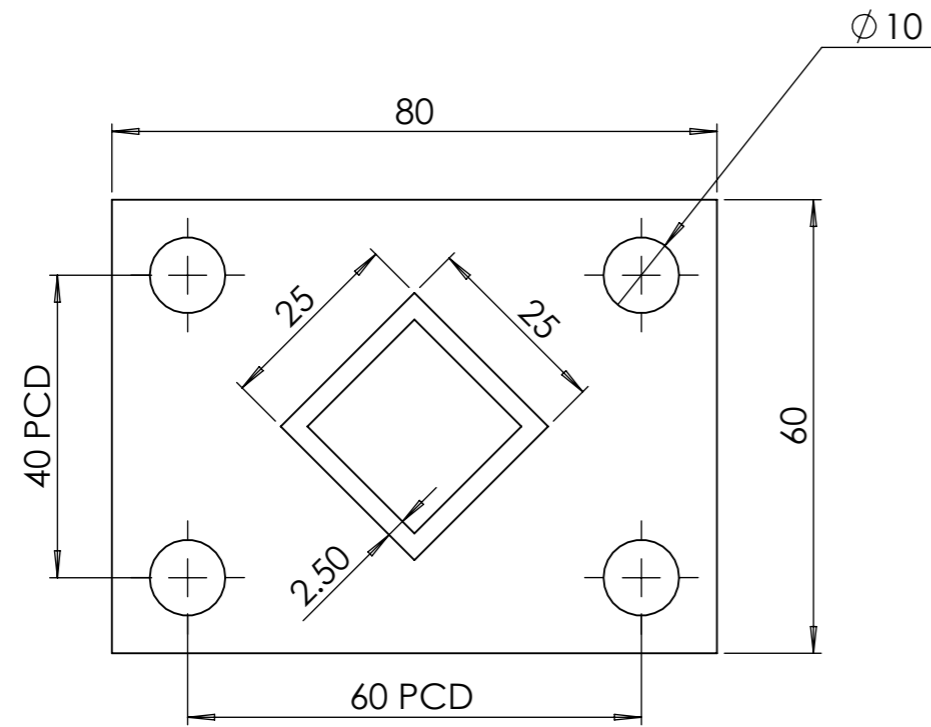
MATERIAL:


WEIGHT:

SCALE:

SHEET: 1 OF 1

A



COMPANY NAME:		ANAND SYSTEM ENGINEERING PVT LTD		DO NOT SCALE DRAWING.	REVISION:
		<p>ANAND SYSTEM ENGINEERING PVT LTD</p>		TITLE: <b>C.C-Bracket M-TYPE</b>	
Email id: info@anandcontrol.in		FINISH:		DWG NO.	
CONTACT NO: 9137620579				DATE:	
DRAWN	SAURABH			SIGNATURE:	
CHK'D				A	
APPY'D					
MFG				SCALE:	
		WEIGHT:		SHEET: 1 OF 1	



4

3

2

1

F

F

E

E

D

D

C

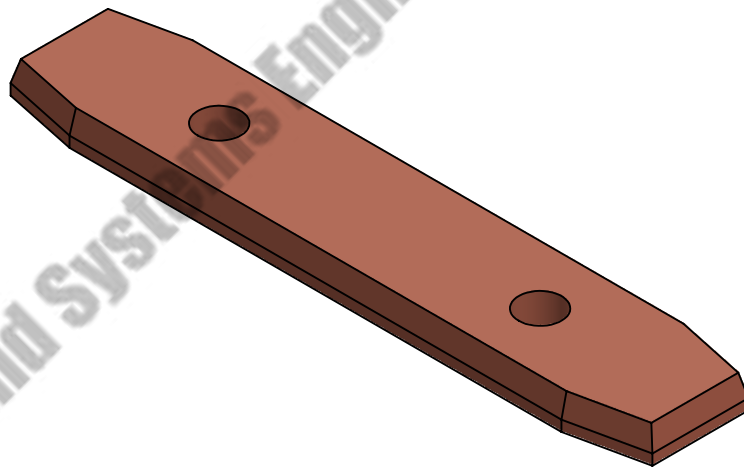
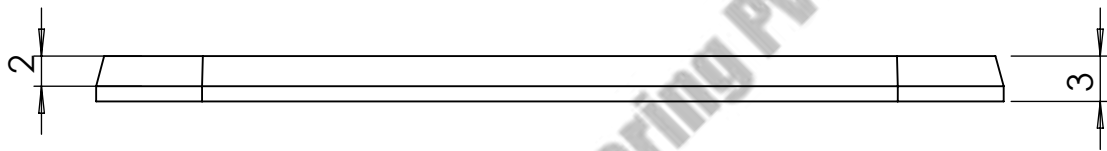
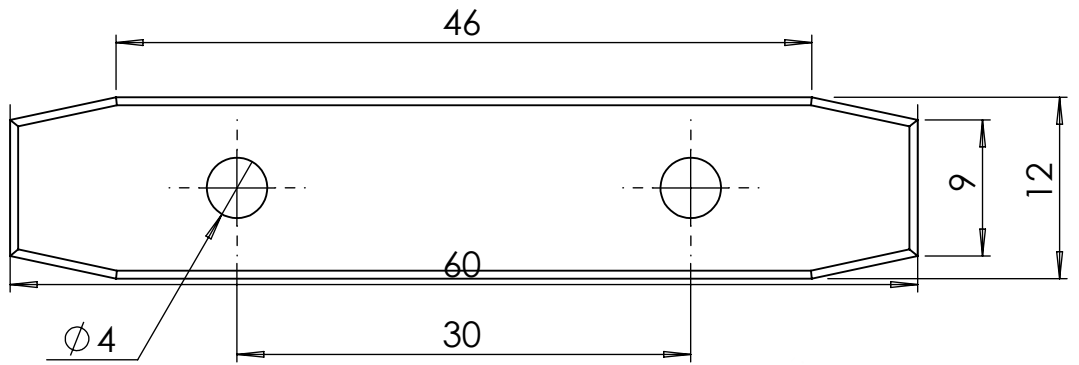
C

B

B

A

A



Anand System Engineering Pvt. Ltd.

COMPANY NAME:



ANAND SYSTEM  
ENGINEERING PVT LTD

DO NOT SCALE DRAWING.

REVISION:

TITLE:

JOINING PIN  
COPPPER M-  
TYPE 2D

Email id: info@anandcontrol.in

CONTACT NO: 9137620579

FINISH:

DWG NO.

DATE:

SIGNATURE:

DRAWN	SAURABH
CHK'D	
APP'D	
MFG	

MATERIAL:

WEIGHT:

SCALE:

SHEET: 1 OF 1

4

3

2

1

4

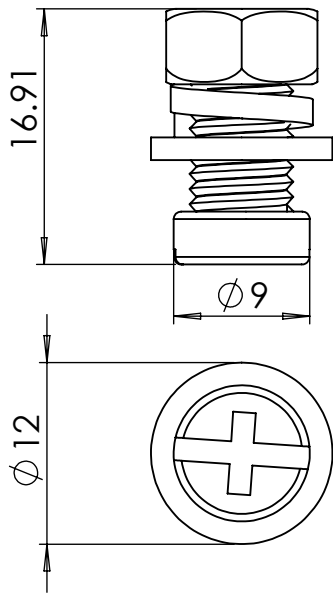
3

2

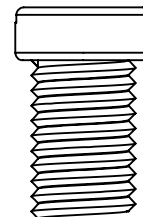
1

F

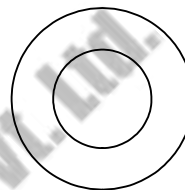
F



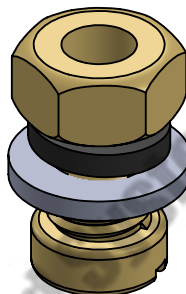
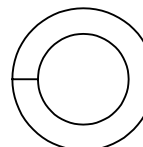
BOLT M6X10



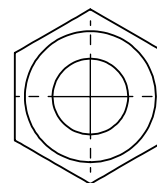
PLAIN WAHSER M6



SPRING WAHSER M6



NUT M6



D

D

C

C

B

B

COMPANY NAME:



ANAND SYSTEM ENGINEERING PVT LTD

DO NOT SCALE DRAWING.

REVISION:

TITLE:

END POWER FEED ASSM M-TYPE 2D

Email id: info@anandcontrol.in

CONTACT NO: 9137620579

FINISH:

DWG NO.

DATE:

SIGNATURE:

A

A

DRAWN	SAURABH
CHK'D	
APP'D	
MFG	

MATERIAL:	
WEIGHT:	

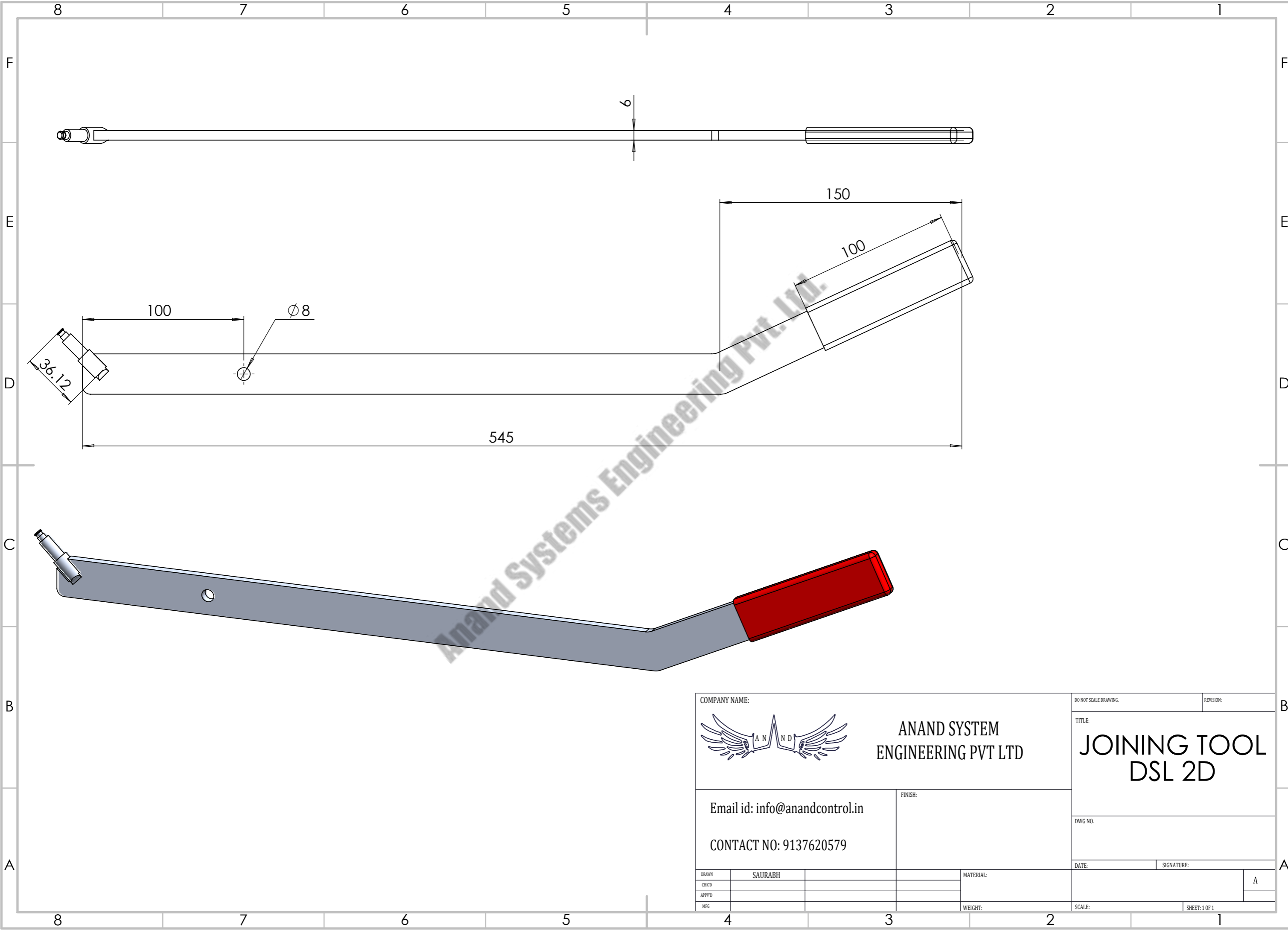
SCALE:		SHEET: 1 OF 1
--------	--	---------------


4

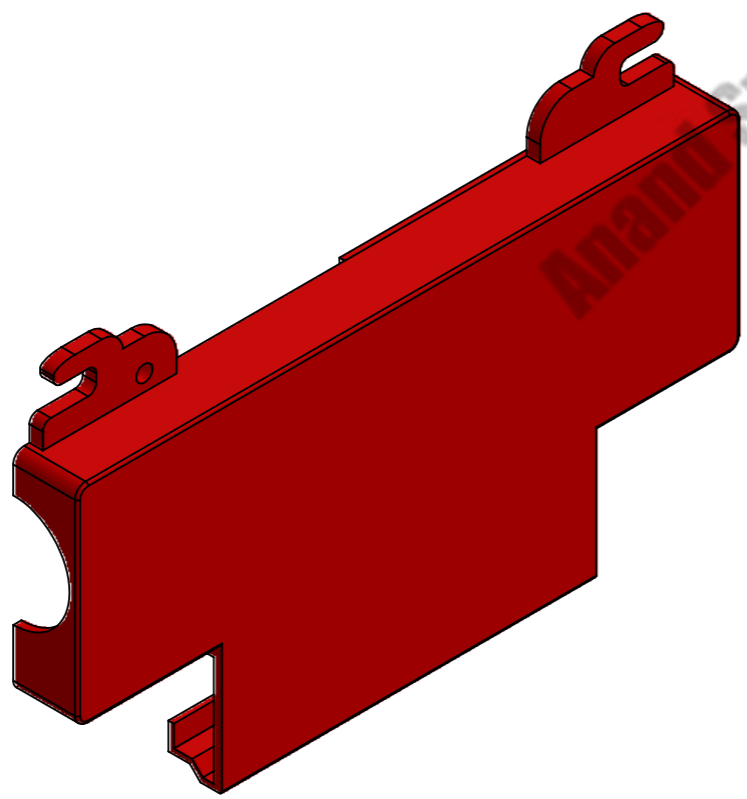
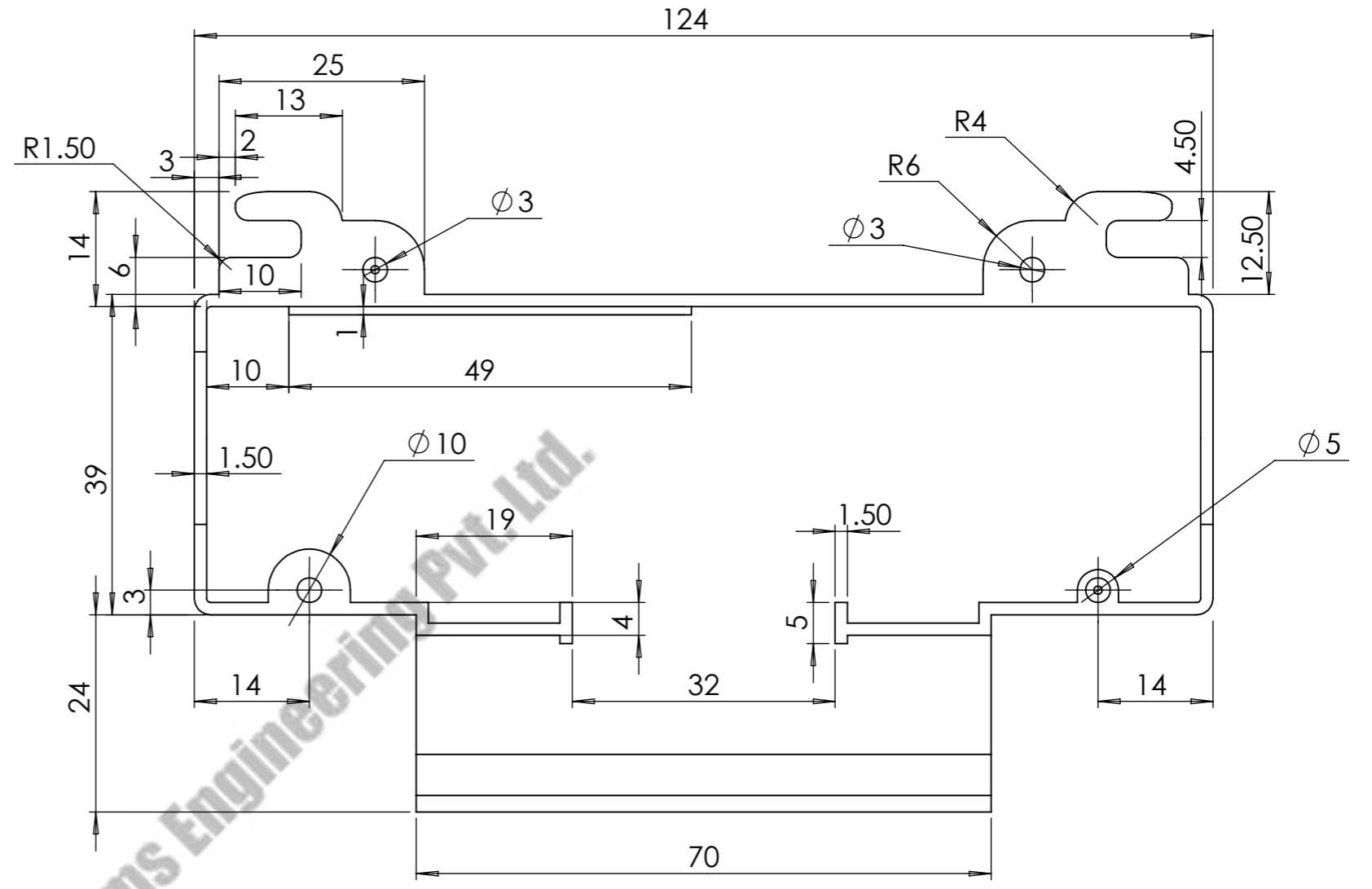
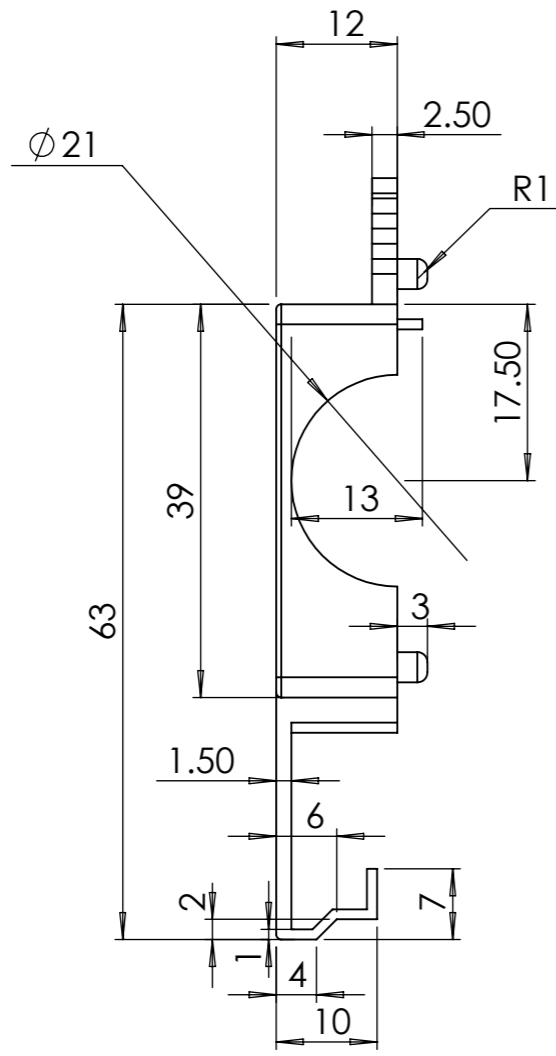
3


2

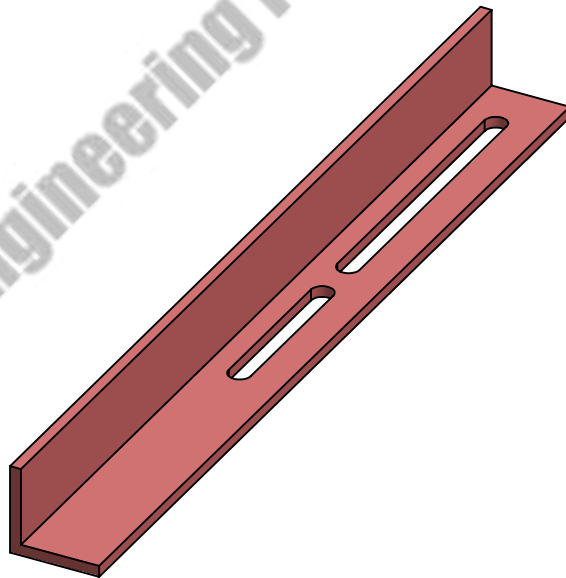
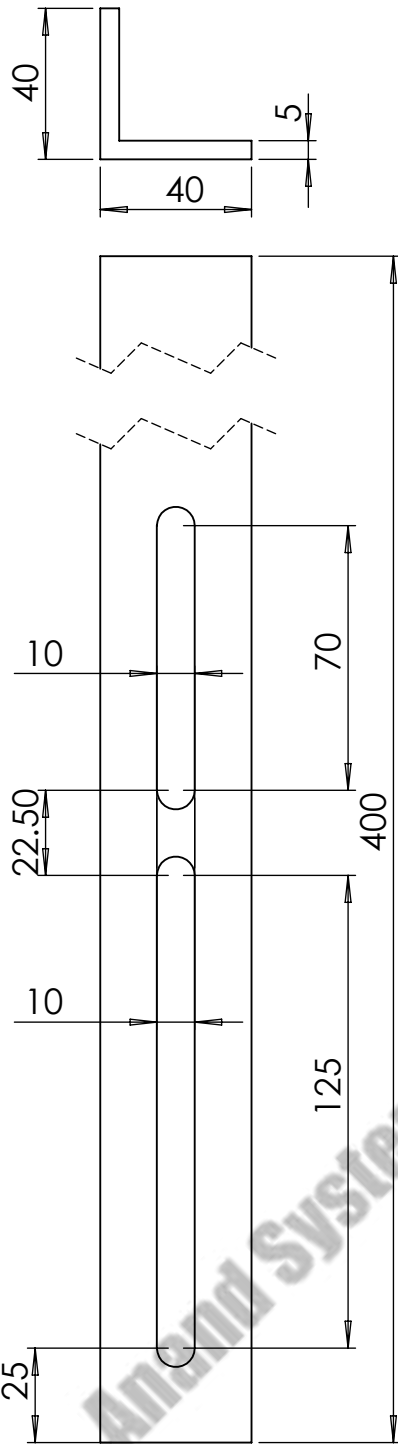
1



COMPANY NAME:		ANAND SYSTEM ENGINEERING PVT LTD		DO NOT SCALE DRAWING.	REVISION:
		Email id: info@anandcontrol.in CONTACT NO: 9137620579		TITLE: <b>JOINING TOOL          DSL 2D</b>	
FINISH:		MATERIAL:		DWG NO.	
DATE:		SIGNATURE:		A	
DRAWN	SAURABH			SCALE:	
CHK'D				SHEET: 1 OF 1	
APPY'D					
MFG					



COMPANY NAME:		ANAND SYSTEM ENGINEERING PVT LTD		DO NOT SCALE DRAWING.	REVISION:
		<p>ANAND SYSTEM ENGINEERING PVT LTD</p>		TITLE: <b>MOULDING CENTRE POWER FEED COVER M-TYPE 2D</b>	
Email id: info@anandcontrol.in		FINISH:		DWG NO.	
CONTACT NO: 9137620579				DATE:	
DRAWN	SAURABH			SIGNATURE:	
CHK'D				A	
APP'VD					
MFG				SCALE:	
		WEIGHT:		SHEET: 1 OF 1	



40X40X400, THK-5  
MM

COMPANY NAME:



ANAND SYSTEM  
ENGINEERING PVT LTD

Email id: info@anandcontrol.in

CONTACT NO: 9137620579

FINISH:

DO NOT SCALE DRAWING.

REVISION:

TITLE:

Web-Bracket  
M-TYPE 2D

DWG NO.

DATE:

SIGNATURE:

DRAWN	SAURABH
CHK'D	
APP'D	
MFG	

MATERIAL:

WEIGHT:

SCALE:

SHEET: 1 OF 1

A